



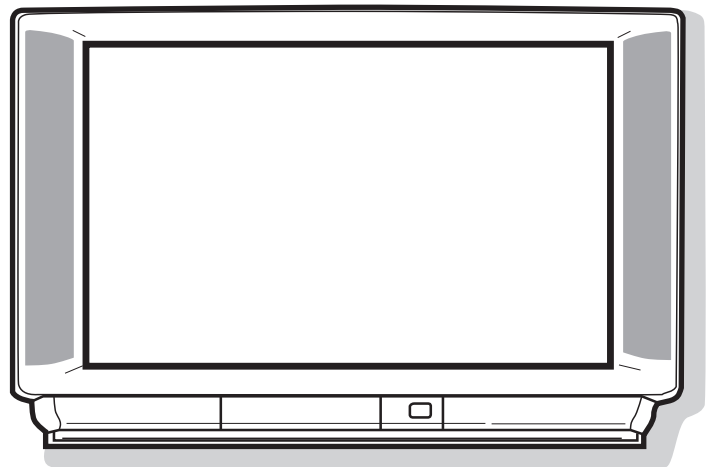
Colour Television Service Manual Model CE32W1-C(Europe)
CE32WN1-C(Europe)
Service Ref. No. CE32W1-C-00
Service Ref. No. CE32WN1-C-00

PRODUCT CODE

111329515 (CE32W1-C)
111329516 (CE32WN1-C)

ORIGINAL VERSION

Chassis No. WB2-B



Give complete "SERVICE REF. NO." for parts order or servicing, it is shown on the rating sheet on the cabinet back of the TV set.

Note

This TV receiver will not work properly in foreign countries where the television transmission system and power source differ from the design specifications. Refer to the specifications for the design specifications

Contents

Safety notice	2
Specifications	2
Pin configuration of system control, CPU	3
Chassis block diagrams	4-6
IC block diagrams	7-12
Adjustment locations on the board	13-15
Service control adjustments	16
Circuit alignments	17
Adjustments in the service mode	18-20
Special functions	21
Cabinet parts list	22
Electrical parts list	23-37

SAFETY NOTICE

SAFETY PRECAUTION

- 1: An isolation transformer should be connected in the power line between the receiver and the AC line when a service is performed on the primary of the converter transformer of the set.
- 2: Comply with all caution and safety-related notes provided on the cabinet back, inside the cabinet, on the chassis or the picture tube.
- 3: When replacing a chassis in the cabinet, always be certain that all the protective devices are installed properly, such as, control knobs, adjustment covers or shields, barriers, isolation resistor-capacitor networks etc. Before returning any television to the customer, the service technician must be sure that it is completely safe to operate without danger of electrical shock.

X-RADIATION PRECAUTION

The primary source of X-RADIATION in the television receiver is the picture tube. The picture tube is specially constructed to limit X-RADIATION emissions. For continued X-RADIATION protection, the replacement tube must be the same type as the original including suffix letter. Excessive high voltage may produce potentially hazardous X-RADIATION. To avoid such hazards, the high voltage must be maintained within specified limit. Refer to this service manual, high voltage adjustment for specific high voltage limit. If high voltage exceeds specified limits, take necessary corrective action. Carefully follow the instructions for +B1 volt power supply adjustment, and high voltage adjustment to maintain the high voltage within the specified limits.

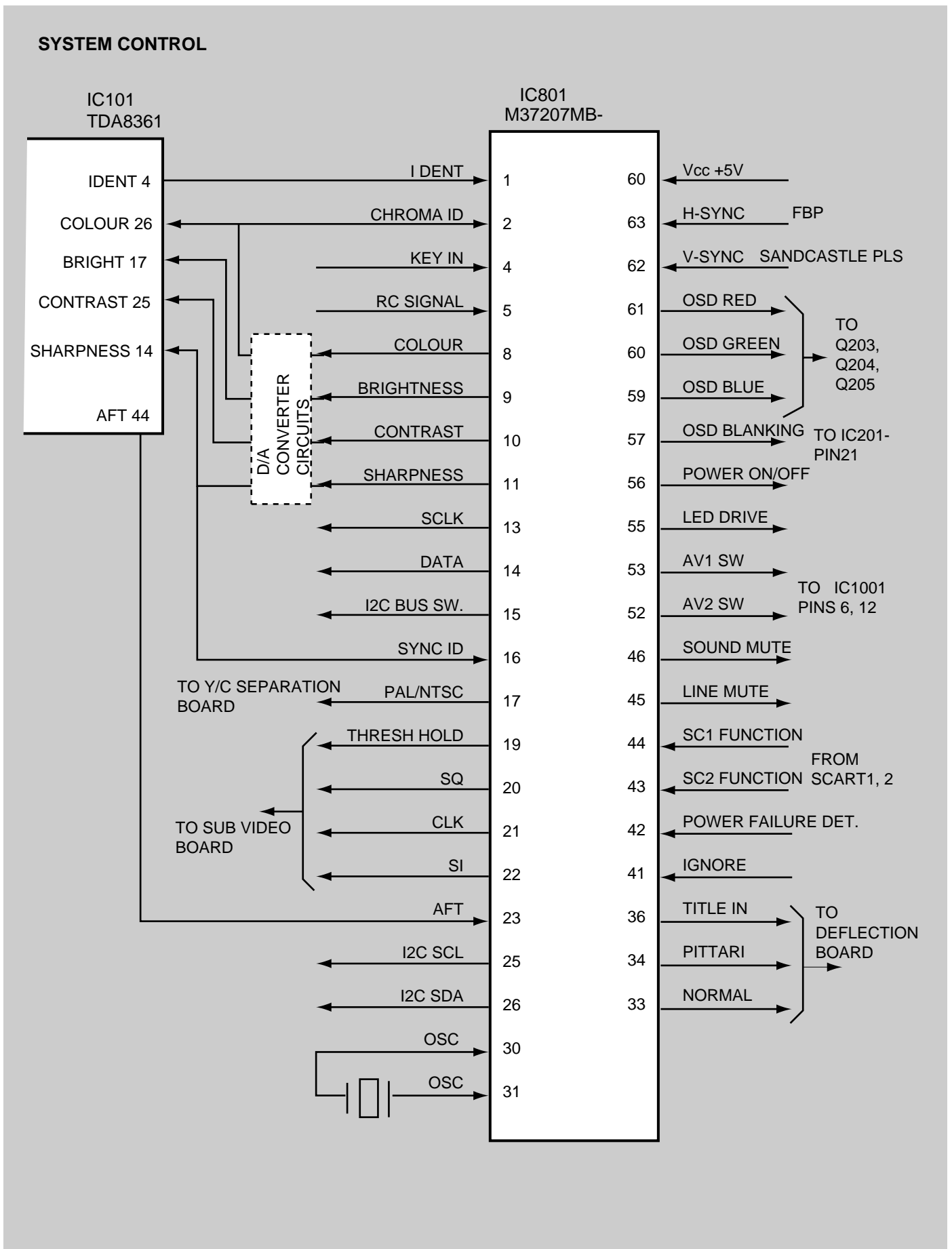
PRODUCT SAFETY NOTICE

Product safety should be considered when a component replacement is made in any area of a receiver. Components indicated by mark **!** in the parts list and the schematic diagram designate components in which safety can be of special significance. It is particularly recommended that only parts designated on the parts list in this manual be used for component replacement designated by mark **!**. No deviations from resistance wattage or voltage ratings may be made for replacement items designated by mark **!**.

SPECIFICATIONS

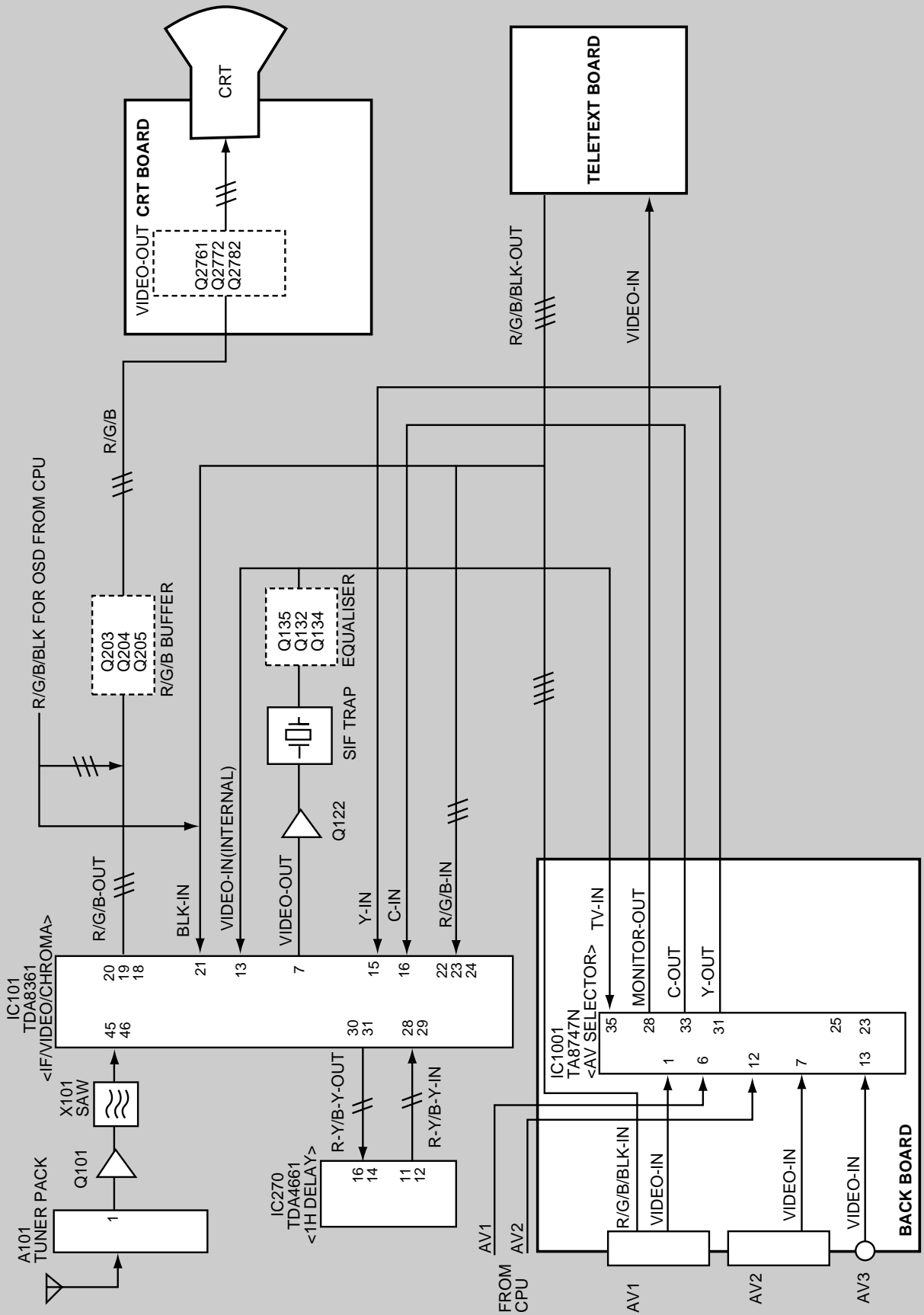
Specifications	(CE32W1-C / CE32WN1-C)
Power source	AC 220~240V 50Hz
Television system	System B/G)
Colour system	PAL
Receiving channel	VHF E2~E12 UHF 21~69 CATV S1~S41, X,Y,Z, Z+1, Z+2
Common Specifications	
Aerial input impedance	75ohm
AV terminal	
21 Pin socket AV1	CENELEC standard<RGB/,S-in>
AV2	CENELEC standard
Front AV terminal AV3	RCA type, Video, Audio-L/R input
Sound output Main	10 watts X2
Picture tube	32"
Dimensions (WxHxD)	851 x 557 x 540
Weight	851 x 557 x 540

PIN CONFIGURATION OF SYSTEM CONTROL, CPU

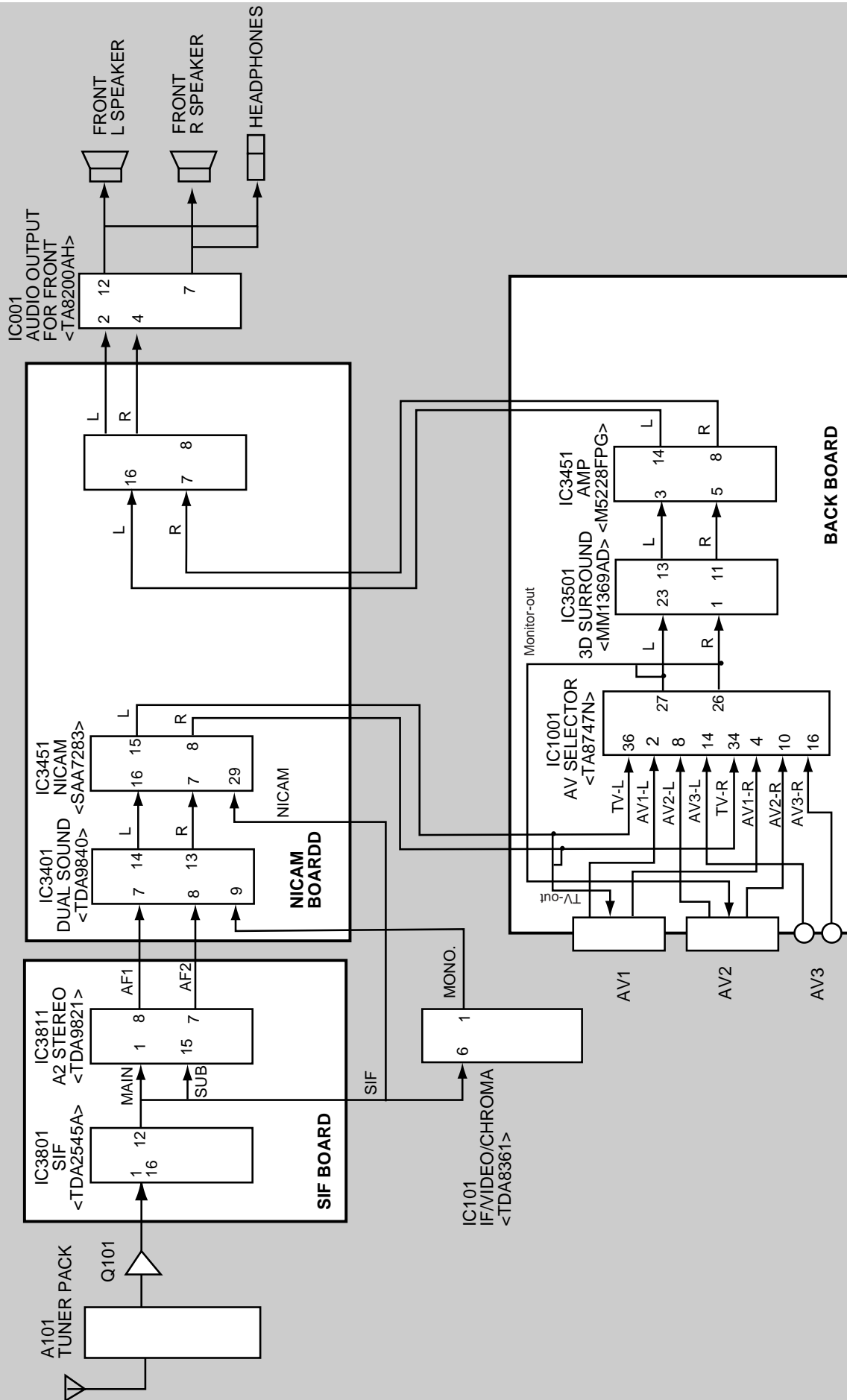


CHASSIS BLOCK DIAGRAMS

BLOCK DIAGRAM <VIDEO SIGNAL PROCESSING>

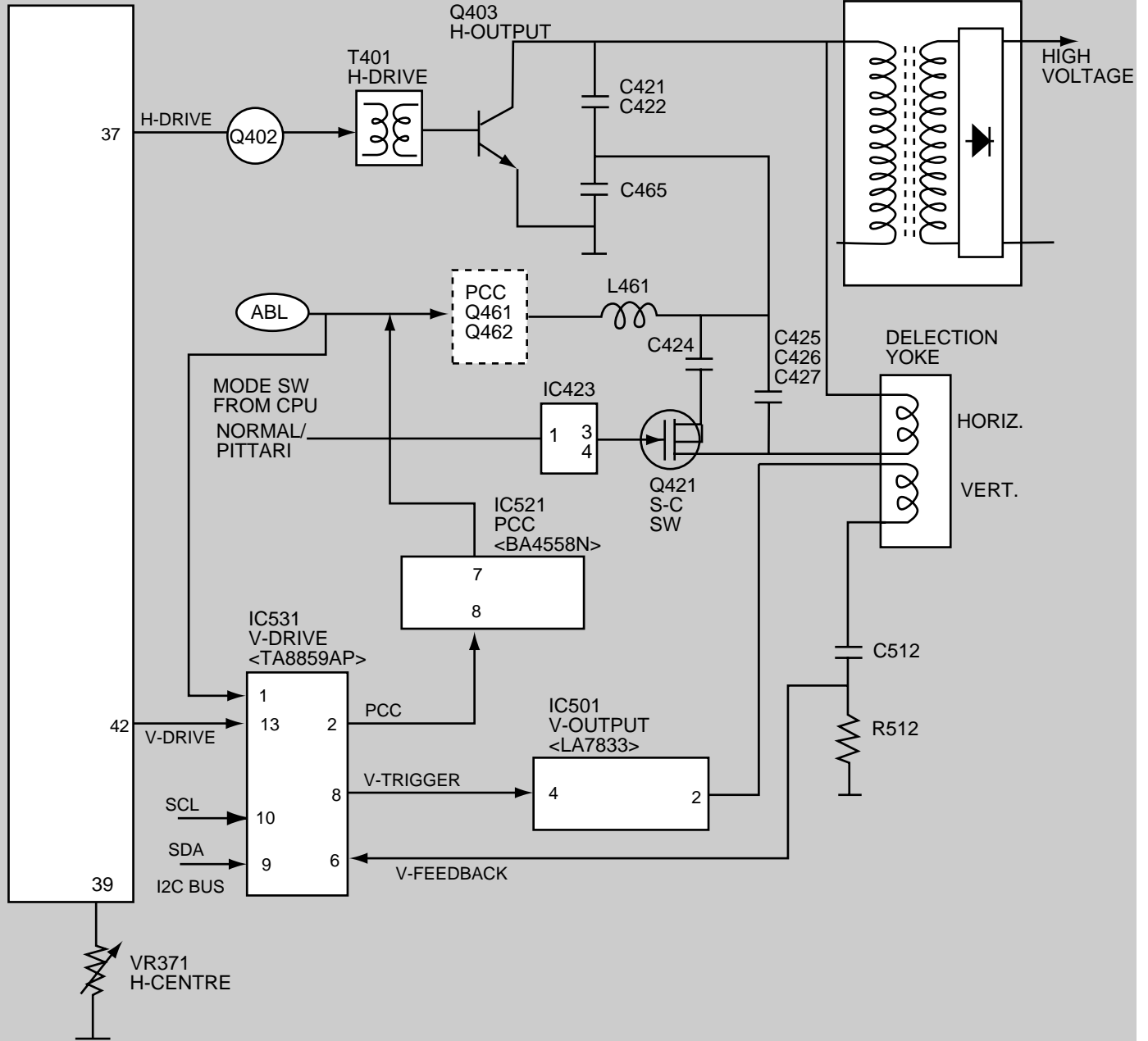


BLOCK DIAGRAM < AUDIO SIGNAL PROCESSING >



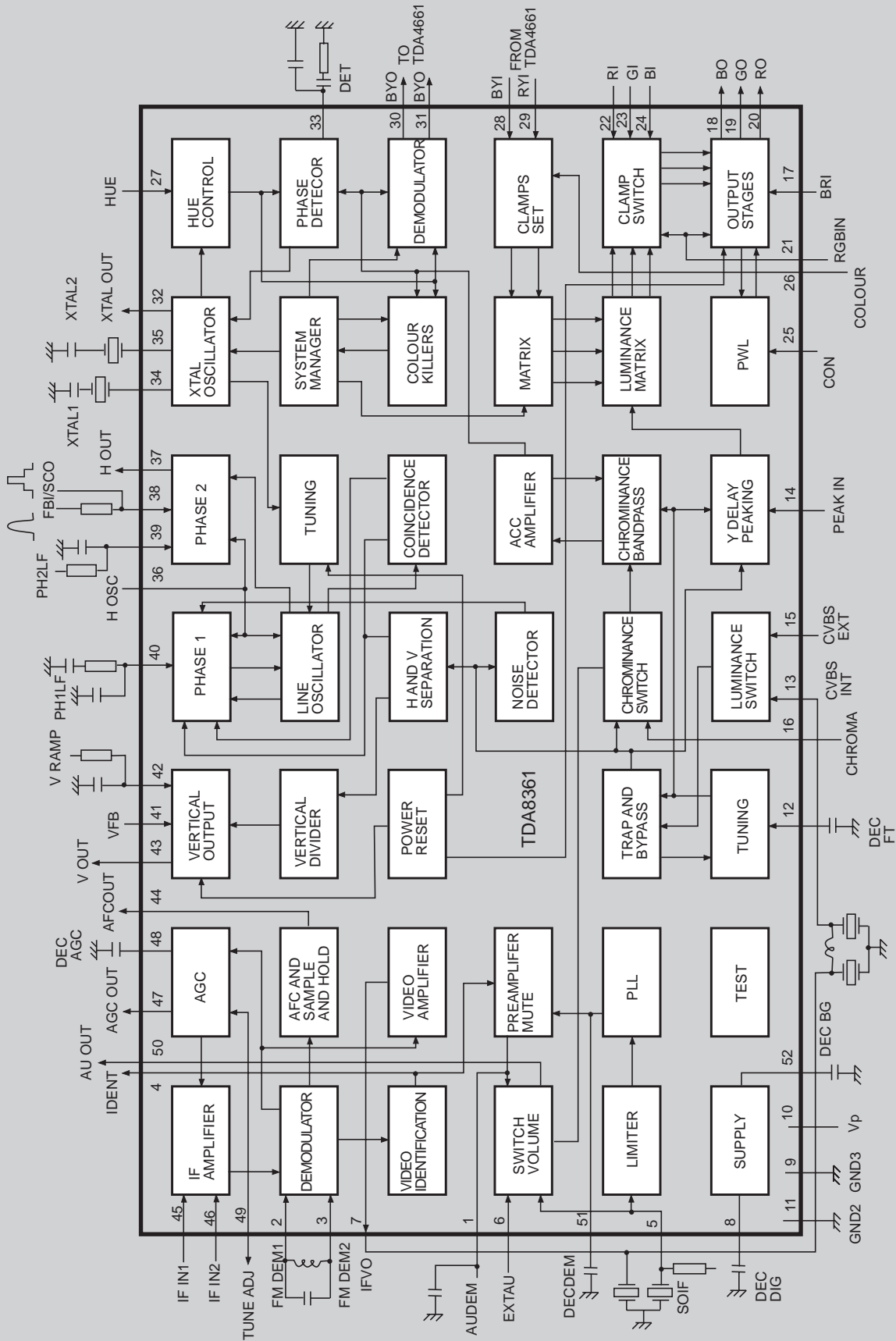
BLOCK DIAGRAM <H&V DEFLECTION>

IC101
VIDEO/CHROMA/DEFLECTION
<TDA8361>

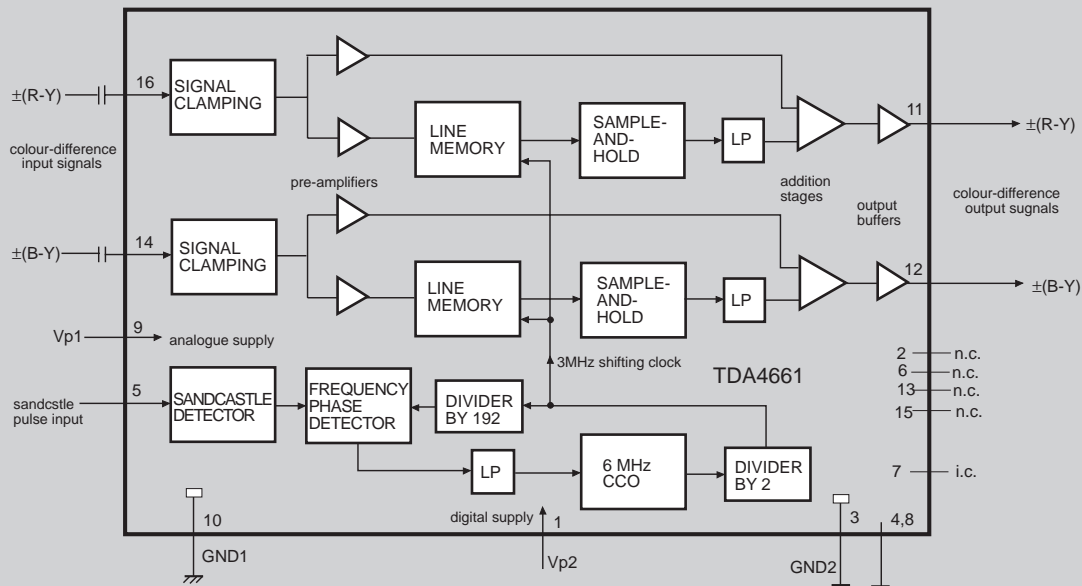


IC BLOCK DIAGRAMS

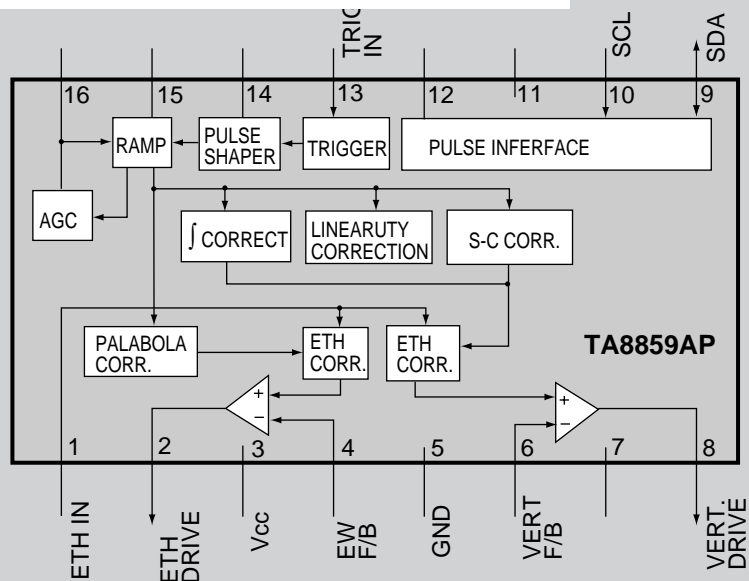
TDA8361 <IF/VIDEO/CHROMA/DEF.>



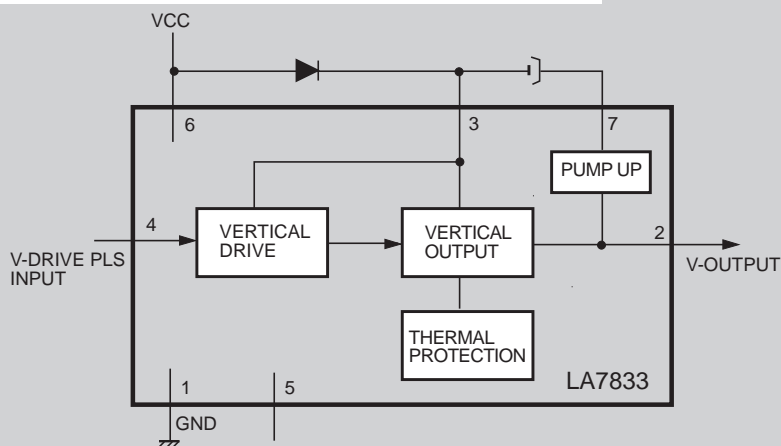
TDA4661 <1H DELAY LINE>



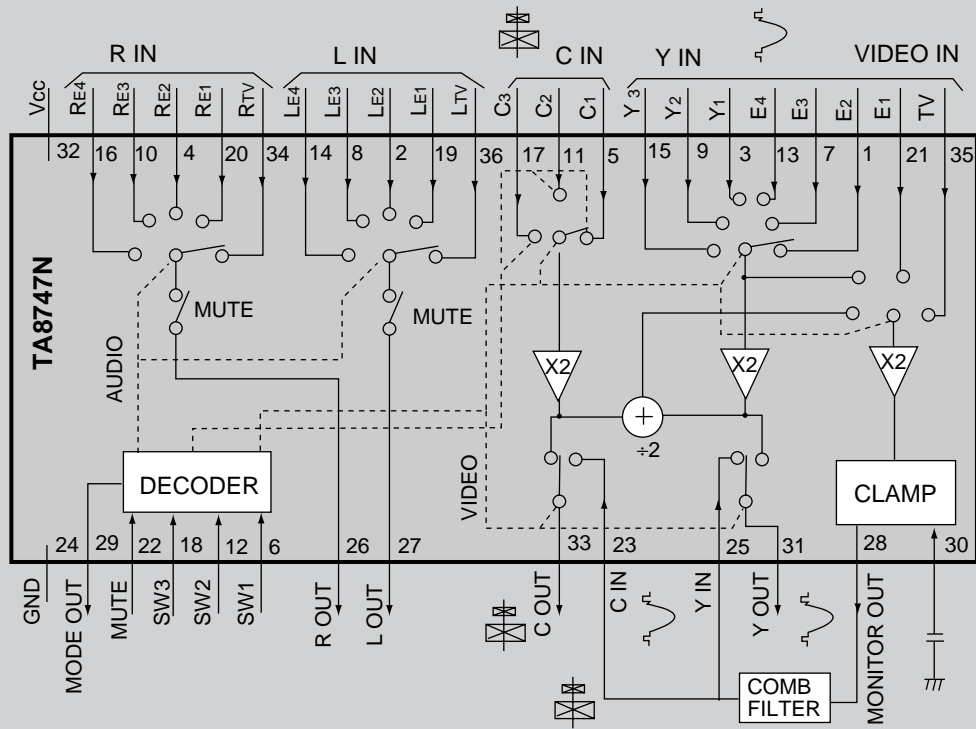
TA8859AP <DEFLECTION CORRECTION>



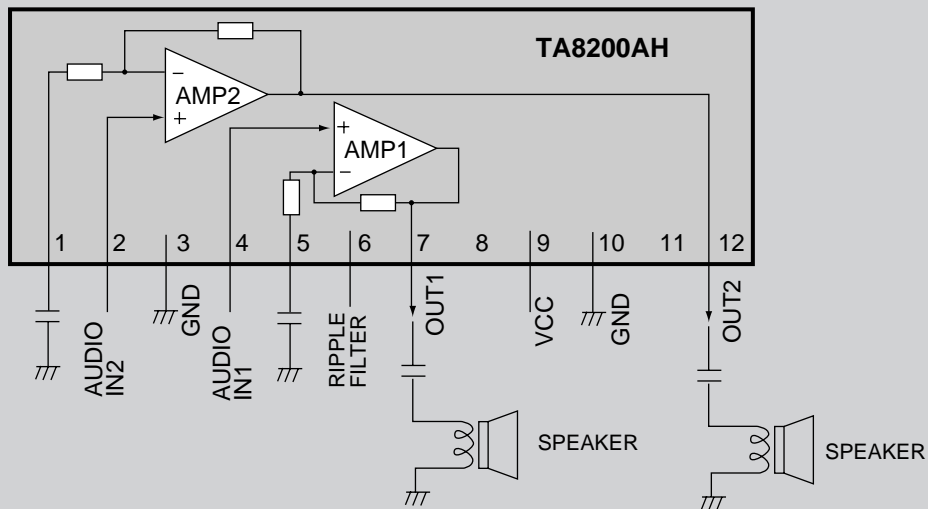
LA7833 <VERTICAL OUTPUT>



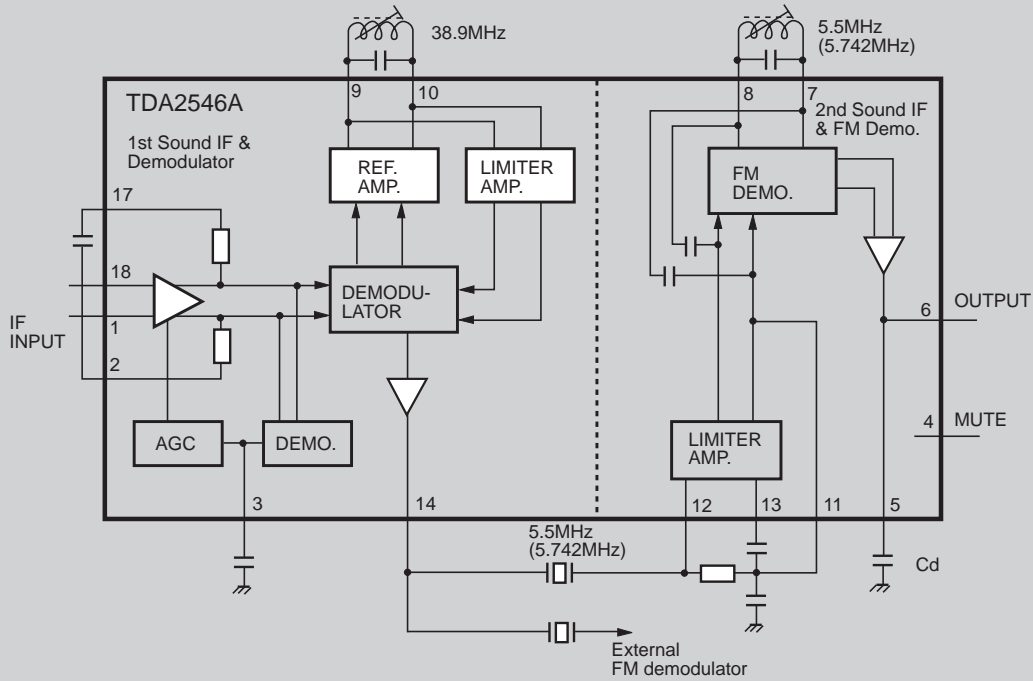
TA8747N <AV SELECTOR>



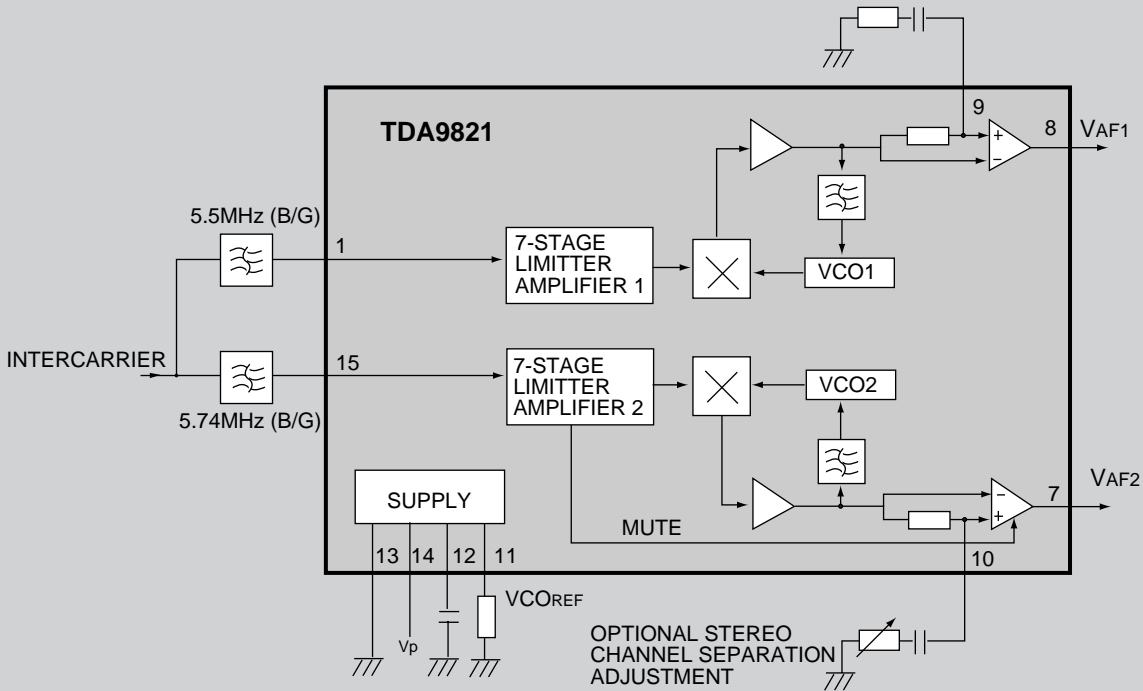
TA8216H/TA8200AH <AUDIO OUTPUT>



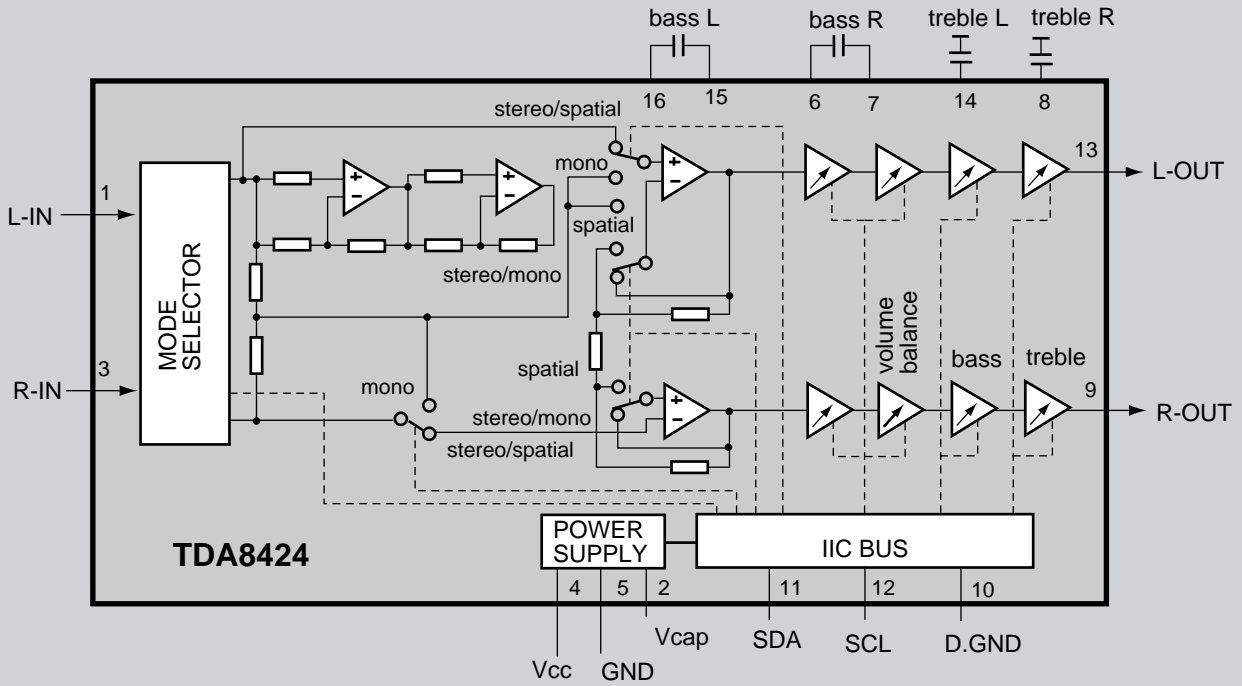
TDA2545A <SIF DEMODULATOR>



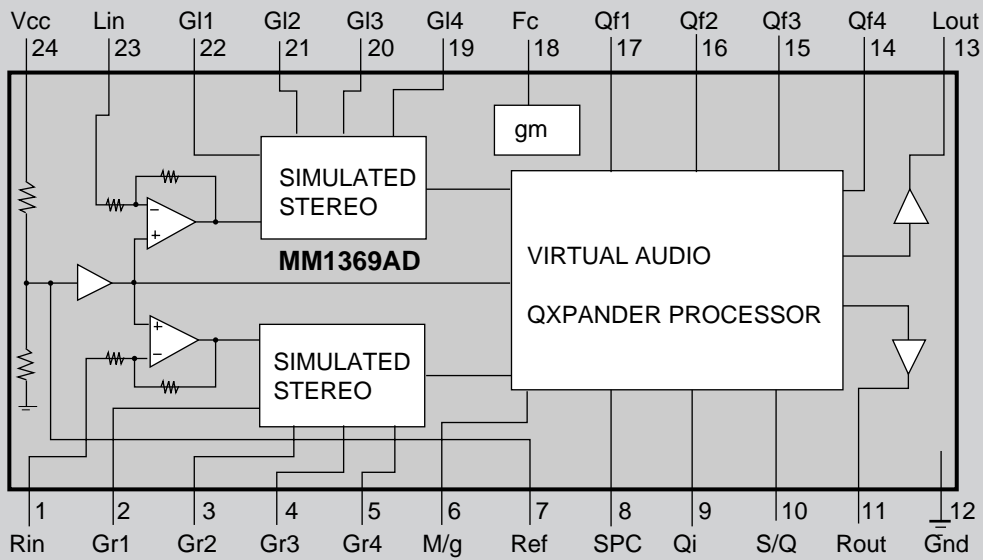
TDA9821 <DUAL CHANNEL SOUND DEMODULATOR>



TDA8424 <SOUND CONTROLLER>

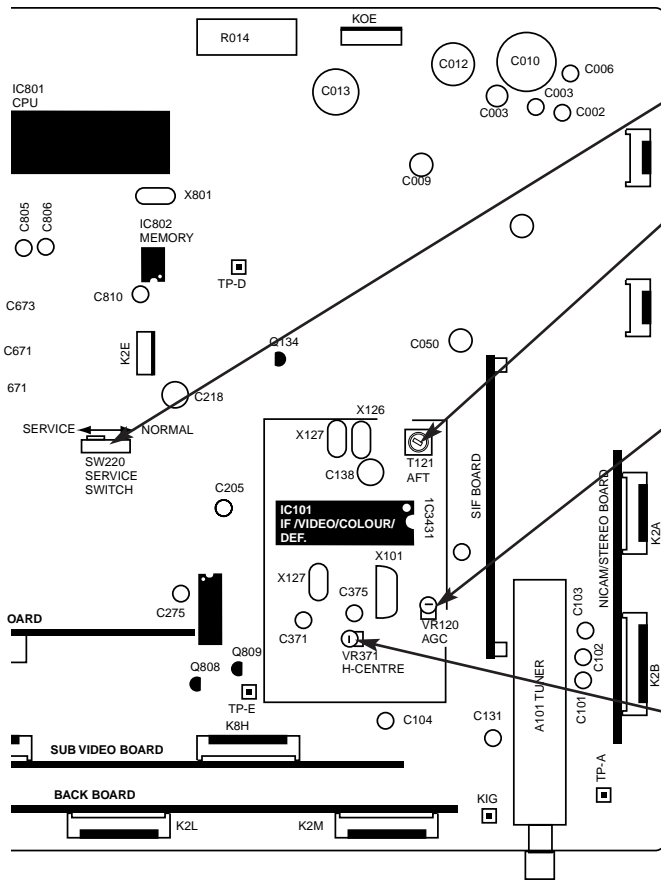


MM1369AD <3D SURROUND PROCESSOR>



SERVICE CONTROL ADJUSTMENTS

Main Board



Grey Scale Adjustment

AFT ADJUSTMENT

1. Receive the clearest station.
2. By using T121, adjust AFT to obtain the best picture.

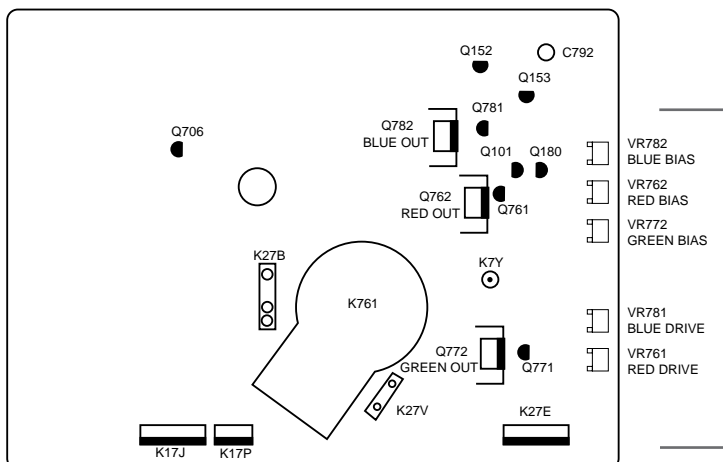
AGC ADJUSTMENT

- NOTE: Do not attempt this adjustment with weak signal.**
1. Receive the clearest station.
 2. Set AGC VR(VR120) in direction which causes snow noise to appear, then in the opposite direction until snow noise just disappears.

H-CENTRE ADJUSTMENT

1. Receive circular pattern signal.
2. Adjust H-centre by using VR361.

CRT Board



GREY SCALE ADJUSTMENT

[SCREEN VR ADJUSTMENT]

1. Receive white pattern signal.
2. Set brightness and contrast controls to maximum.
3. Set VR761 and VR781 to be mechanical centre.
4. Turn VR762, VR772 and VR782 fully counter-clockwise.
5. Turn SW220 to "SERVICE" mode.
6. Set screen VR for one colour to be just visible.

[BIAS VR ADJUSTMENT]

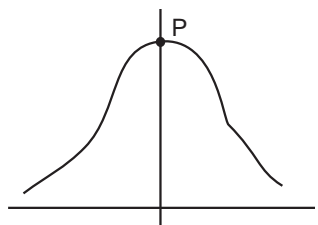
7. By using VR762, VR772 or VR782, adjust line to be white.

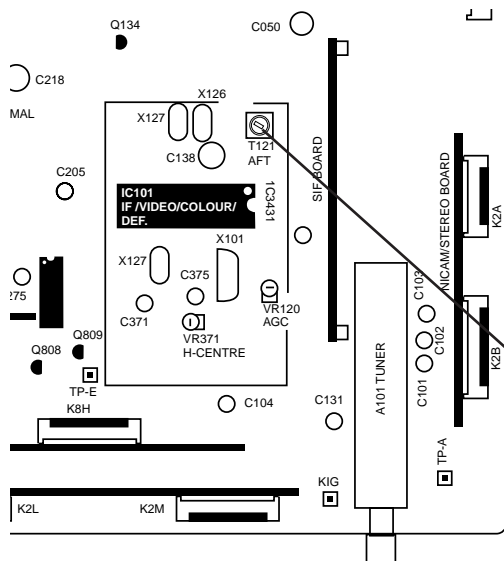
[DRIVE VR ADJUSTMENT]

8. Turn SW220 to "NORMAL" mode.
9. By using VR761 and VR781, adjust white balance.

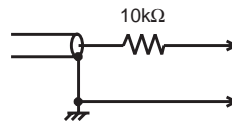
CIRCUIT ALIGNMENTS

VIF ALIGNMENT

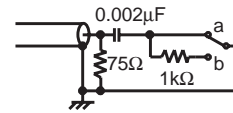
SETTING	Adjustment	Waveform
DC 12.0V AGC voltage (4.3-4.5V) Output probe Input probe DC5.0V Marker frequency Sweep ATT 0dB=176mVrms/75 Tool A	K3A-pin5 IC101-pin48 IC101-pin45 (Side b) IC101-pin7 KOC-pin8 38.9/39.5MHz 20dB IC101-pin46 and GND	By using T121, adjust "P" to be maximum amplitude. 



Tools



Input probe



Output probe

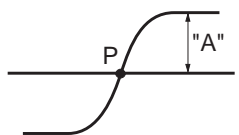


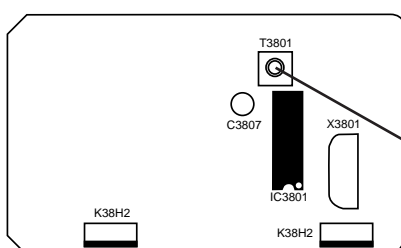
Tool A: 0.01µF

VIF Alignment

MAIN Board

SIF ALIGNMENT

SETTING	Adjustment	Waveform
DC 12V AGC voltage Output probe Input probe Sweep ATT Marker Frequency	IC3801-pin11 IC3801-pin3 IC3801-pin1 (Side b) IC3801-pin12 10dB 38.9/39.5MHz	1. Adjust AGC voltage to be "A" = 0.5Vp-p. 2. By using T3801, adjust "P" to be equal centre line. 



SIF Board

SIF Alignment

Marker frequency

39.5MHz --> C28WN1B

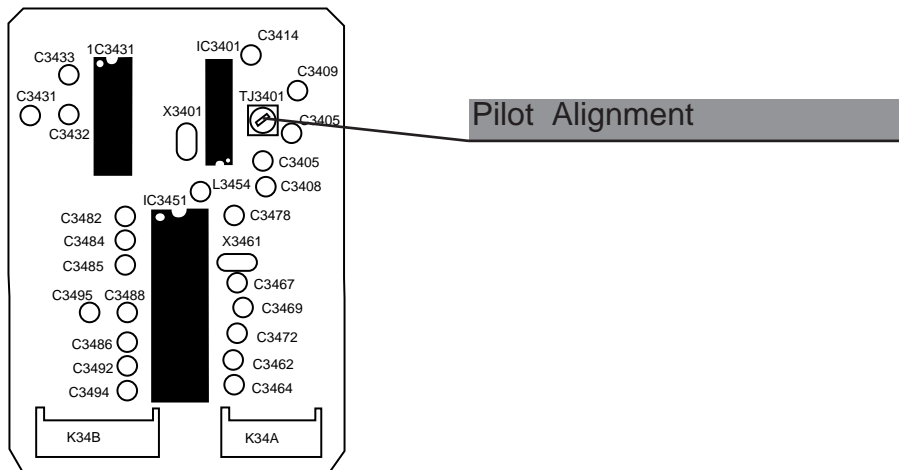
38.9MHz --> C28W1/WN1

CIRCUIT ALIGNMENTS

PILOT ALIGNMENT

SETTING	Adjustment	Waveform
Oscilloscope Input sound signal source TV system Carrier Deviation Mode	IC3401-pin5 System B/G 5.5MHz + 5.74MHz 27kHz Stereo	By using T3401, adjust amplitude to be maximum.

NICAM & Stereo Board



ADJUSTMENTS IN THE SERVICE MODE

Since some chassis circuit adjustments are controlled by the CPU built into the chassis, adjustments can now be made by inputting data directly via the remote control handset supplied with the set.

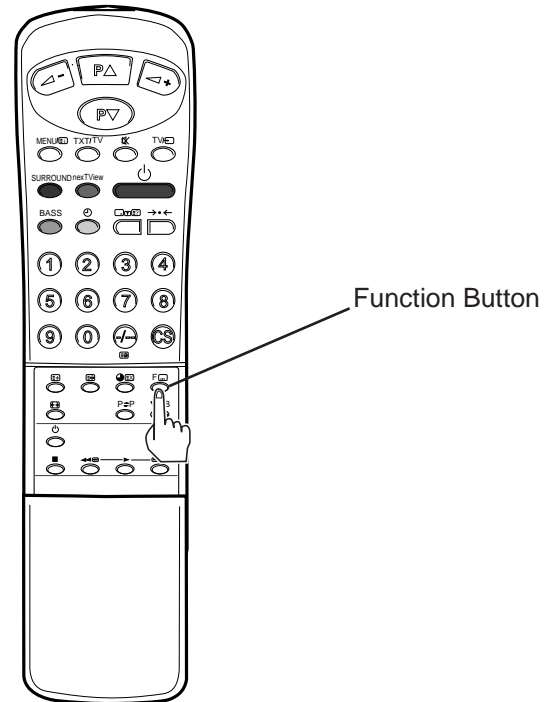
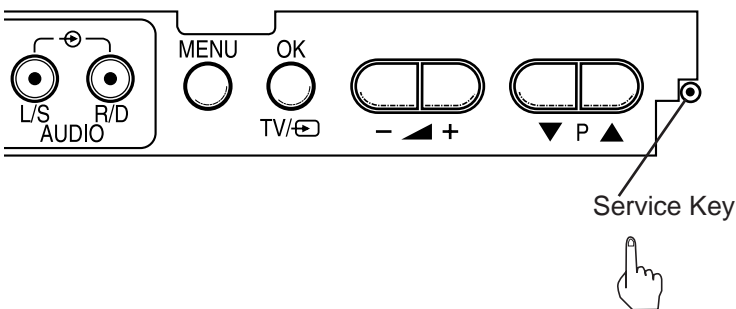
Memory IC replacement

Since adjustment data for the circuit is stored in the memory IC (IC802) that comes with the CPU, the adjustment data must be re-input when the memory IC is replaced.

(After memory IC replaced, reference data is initially written automatically to memory from the CPU ROM for basic set operation.)

1. Setting of the service mode.

To enter service mode, press and hold the **SERVICE** key on the front control panel, then press the **Function** button on the remote control handset.

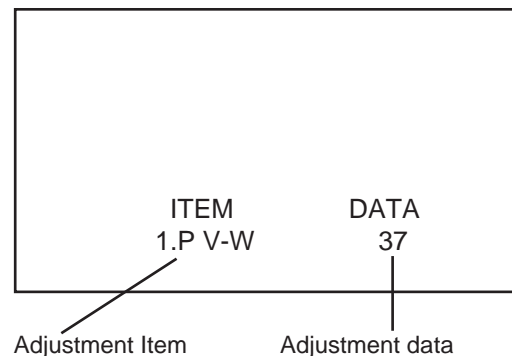


2. Screen display of the service mode.

- Adjustment items can be selected by pressing the Prog. up/down button on the remote control handset.
- Adjustment data can be set by pressing Level up/down button on the remote control handset.

3. To exit from the service mode.

To exit from the service mode, turn off the TV set by pressing the **power on/off** button on the TV set or remote control handset.



The adjustments in the service mode are listed below table.

The data in each adjustment item is set with the best setting value in the CPU ROM as initial data.

As the shaded adjustment items are adjusted for each TV set individually, it may slightly differ to the initial data.

When the memory IC is replaced, these adjustments should be readjusted according to service mode adjustments described next page.

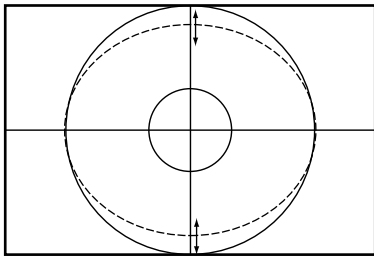
Item	Adjustment	Screen Mode	Initial Data	Range of Data	Remarks
1. P V-W	V-Size	50Hz FULL	35	00~127	
2. P V-L	V-linearity	50Hz FULL	16	00~31	
3. P V-S	V-S Correction	50Hz FULL	04	00~31	
4. P VSB	V-Correction	50Hz FULL	00	00~15	
5. P H-W	H-Width	50Hz FULL	26	00~63	
6. P PCC	Pincushion	50Hz FULL	36	00~63	
7. P C-P	Corner Comp.	50Hz FULL	3	00~15	
8. P PHA	Keystone Correction	50Hz FULL	30	00~63	
9. P HCO	H-Correction	50Hz FULL	10	00~15	
10. P VGM	V-J Correction	50Hz FULL	00	00~15	

Item	Adjustment	Screen Mode	Initial Data	Range of Data	Remarks
11. P H-W	H-Width	50Hz NORMAL	+26	±63	
12. P PCC	Pincushion	50Hz NORMAL	00	±63	
13. P V-W	V-Size	50Hz PITTARI	+07	±127	
14. P V-S	V-S Correction	50Hz PITTARI	+06	±31	
15. P H-W	H-Width	50Hz PITTARI	+16	±63	
16. P PCC	Pincushion	50Hz PITTARI	+04	±63	
17. P V-W	V-Size	50Hz ZOOM	+26	±127	
18. P PCC	Pincushion	50Hz ZOOM	+21	±63	
19. P V-W	V-Size	50Hz TITLE IN	-12	±127	
20. P PCC	Pincushion	50Hz TITLE IN	+09	±63	
21. P PHA	Keystone Correction	50Hz TITLE IN	-30	±63	
22. N V-W	V-Size	60Hz FULL	00	±127	
23. N V-L	V-linearity	60Hz FULL	00	±31	
24. N V-S	V-S Correction	60Hz FULL	00	±31	
25. N VSB	V-Correction	60Hz FULL	00	±15	
26. N H-W	H-Width	60Hz FULL	00	±63	
27. N PCC	Pincushion	60Hz FULL	00	±63	
28. N C-P	Corner Comp.	60Hz FULL	00	±15	
29. N PHA	Keystone Correction	60Hz FULL	00	±63	
30. N HCO	H-Correction	60Hz FULL	00	±15	
31. N VGM	V-J Correction	60Hz FULL	00	±15	
32. N H-W	H-Width	60Hz NORMAL	00	±63	
33. N PCC	Pincushion	60Hz NORMAL	00	±63	
34. N V-W	V-Size	60Hz PITTARI	00	±127	
35. N V-S	V-S Correction	60Hz PITTARI	00	±31	
36. N H-W	H-Width	60Hz PITTARI	00	±63	
37. N PCC	Pincushion	60Hz PITTARI	00	±63	
38. N V-W	V-Size	60Hz ZOOM	00	±127	
39. N PCC	Pincushion	60Hz ZOOM	00	±63	
40. N V-W	V-Size	60Hz TITLE IN	00	±127	
41. N PCC	Pincushion	60Hz TITLE IN	00	±63	
42. N PHA	Keystone Correction	60Hz TITLE IN	00	±63	
43. WHT	Ident. time for Screen mode		15	00-31	
44. WHG	Tolerance of Ident. screen		+03	±15	
45. WHS	Threshold level		07	00-15	
46. TIL	Ident time for Title mode		06	00-31	
47. WHR	Ident time for unstable		30	00-31	
48. P WDB	Ident value of picture start	50Hz	12	02-30	
49. P WDE	Ident value of blanking start	50Hz	54	21-58	
50. P WBP	V-blanking start value	50Hz PITTARI	72	00-75	
51. P WBP	V-blanking end value	50Hz PITTARI	12	00-75	
52. P WBZ	V-blanking start value	50Hz ZOOM	61	00-75	
53. P WBZ	V-blanking end value	50Hz ZOOM	23	00-75	
54. P WBT	V-blanking start value	50Hz TITLE IN	74	00-75	
55. P WBT	V-blanking end value	50Hz TITLE IN	23	00-75	
56. N WDB	Ident value of picture start	60Hz	15	09-30	
57. N WDE	Ident value of blanking start	60Hz	31	04-34	
58. N WBP	V-blanking start value	60Hz PITTARI	61	00-63	
59. N WBP	V-blanking end value	60Hz PITTARI	9	00-63	
60. N WBZ	V-blanking start value	60Hz ZOOM	53	00-63	
61. N WBZ	V-blanking end value	60Hz ZOOM	18	00-63	
62. N WBT	V-blanking start value	60Hz TITLE IN	61	00-63	
63. N WBT	V-blanking end value	60Hz TITLE IN	18	00-63	
64. WCR	Contrast comp. value	ZOOM/TITLE IN	05	00-31	
65. MAX	NICAM MAX		195	00-255	
66. MIN	NICAM MIN		160	00-255	
67. ATT	NICAM ATT to equalise sound level	FM/NICAM	04	00-12	
68. K1	A2 STEREO K1 for stereo separation		-1	-04-+05	
69. K2	A2 STEREO K2 for stereo separation		-11	-24-+25	
70. STID	A2 STEREO ident speed		00	00-02	
71. OSC	Position of screen display		14	00-31	
72. TXT	Maximum contrast value in the teletext		01	00-63	
73. P V-W	Zoom 16:9 V-Size	50Hz	+14	±127	
74. P PCC	Zoom 16:9 Pcc	50Hz	+12	±63	
75. P H-W	Zoom 16:9 H-Width	50Hz	00	±63	
76. N V-W	Zoom 16:9 V-Size	60Hz	00	±127	
77. N PCC	Zoom 16:9 Pcc	60Hz	00	±63	
78. N H-W	Zoom 16:9 H-Width	60Hz	00	±63	
79. P WDB	Zoom 16:9 Ident value of picture start	50Hz	5	2-30	
80. P WDE	Zoom 16:9 Ident value of blanking start	50Hz	58	21-58	
81. P WBZ	Zoom 16:9 V-blanking start value	50Hz	65	0-75	
82. P WBZ	Zoom 16:9 V-blanking end value	50Hz	15	0-75	
83. N WDB	Zoom 16:9 Ident value of picture start	60Hz	9	2-30	
84. N WBD	Zoom 16:9 Ident value of blanking start	60Hz	34	21-58	
85. N WBZ	Zoom 16:9 V-blanking start value	60Hz	60	0-75	
86. N WBZ	Zoom 16:9 V-blanking end value	60Hz	13	0-75	

Service mode adjustments

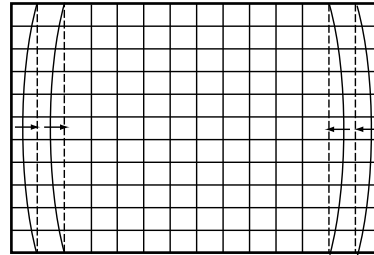
V-SIZE ADJUSTMENT

1. Receive circular pattern signal.
2. Set the TV to the service mode.
3. Select service item " 1.P V-W" by pressing the program + or - button.
4. Adjust vertical size by pressing the level + or - button.



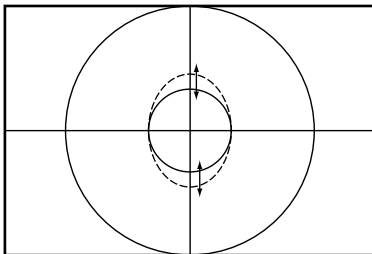
PINCUSHION ADJUSTMENT

1. Receive cross hatch pattern signal.
2. Set the TV to the service mode.
3. Select service item " 6.P PCC" by pressing the program + or - button.
4. Adjust so that the vertical lines straight by pressing the level + or - button.



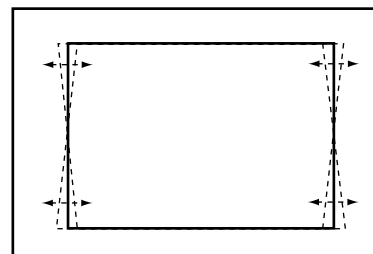
V-LINEARITY ADJUSTMENT

1. Receive circular pattern signal.
2. Set the TV to the service mode.
3. Select service item " 2.P V-L" by pressing the program + or - button.
4. Adjust vertical linearity by pressing the level + or - button.



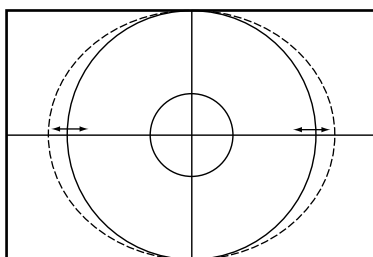
KEYSTONE ADJUSTMENT

1. Receive cross hatch pattern signal.
2. Set the TV to the service mode.
3. Select service item " 8.P PHA" by pressing the program + or - button.
4. Adjust the trapezium distortion by pressing the level + or - button.



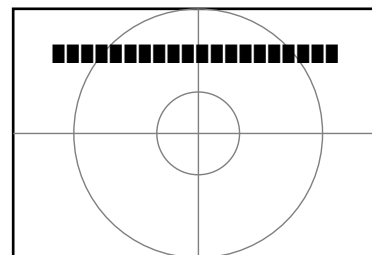
H-WIDTH ADJUSTMENT

1. Receive circular pattern signal.
2. Set the TV to the service mode.
3. Select service item " 5.P H-W" by pressing the program + or - button.
4. Adjust horizontal width by pressing the level + or - button.

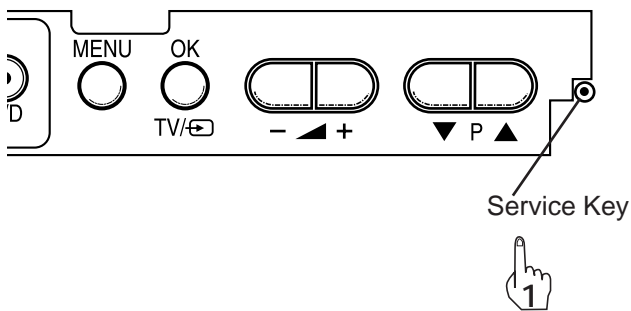
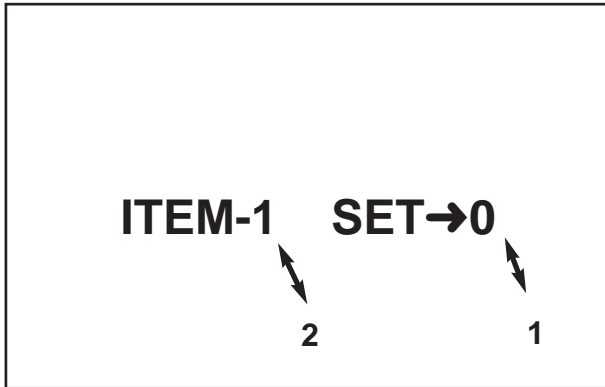


POSITION OF SCREEN DISPLAY

1. Set the TV to the service mode.
2. Select service item " 72.OSD" by pressing the program + or - button.
3. Adjust the position of screen display by pressing the level + or - button.



SPECIAL FUNCTIONS



This TV set allows you to set up the following special functions.

■ Prohibition of presetting

ITEM-1

Sets the prohibition of presetting and CS key entry.

SET→ 0	NO
SET→ 1	YES

■ Start up programme position

ITEM-2

Presets the programme position when the set is switched on.

SET→ 0	Last programme position start
SET→ 1	"AV1" start

SETTING PROCEDURE

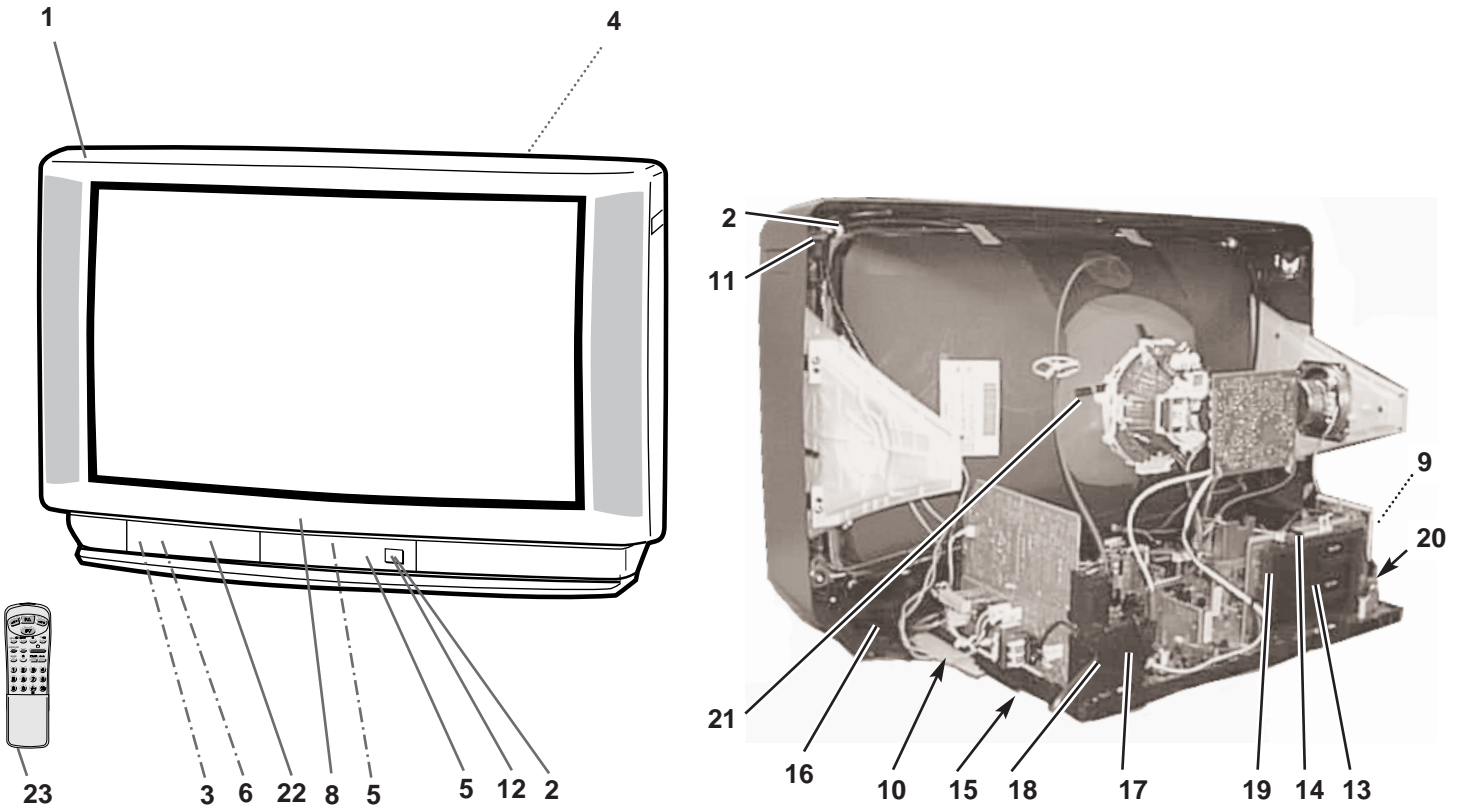
- 1 Press and hold the **SERVICE** Key on the on the front control panel, the press the **Recall** button on the remote control handset.
- 2 To select the "ITEM" number, press the **Programme up/down** button on the remote control handset.
- 3 To select the "SET" number, press the **Level up/down** button repeatedly.
- 4 To return to the normal TV mode, press the **Recall** button.

- The setting conditions of all items can be confirmed.
- Special functions are not cancelled if the TV set is switched off or the mains disconnected.

SERVICE REF. NO. CE32W1/WN1

CABINET PARTS LIST

Note: Parts order must contain Service Ref. No., Part No., and descriptions.



Ref. No.	Part No.	Description
CABINET PARTS		
1	610 273 3266	ASSY, CABINET FR A-F2KB
2	610 257 2827	BUTTON POWER-S5WL
3	610 257 2834	BUTTON UNITD-S5WL
4	610 272 3359	CABINET BACK-F2KB
5	610 262 8449	DEC INLAY-F2JE
6	610 264 2247	DEC SHEET A-F2JE
7	610 253 3538	RUBBER PAD-S6TF QTY=3 (BOTTOM OF REAR COVER)
8	610 205 2596	SANYO BADGE-D6GC
9	610 226 1240	CHASSIS RAIL R-S4VE
10	610 226 1257	CHASSIS RAIL L-S4VE
11	610 225 6369	CRT SPACER-S6TB
12	610 240 7839	SPRING-S6KL
13	610 267 8338	DEC REAR SHEET-F2HV
14	610 253 1640	HOLDER CHASSIS-S6TF
15	610 253 3552	HOLDER PCB C-S6TF
16	610 257 2919	HOLDER PCB A-S6WA
17	610 257 2957	HOLDER CORD-S6WA
18	610 263 2736	HOLDER CORD-E7WMC
19	610 262 4250	TERMINAL BASE-F2JE
20	610 243 2602	PCB MTG BASE-A-S6TB-D
21	610 225 6369	DY SPACER-D4AK QTY=4
22	610 273 4140	DOOR-F2KT
ACCESSORIES		
23	645 017 7606	ASSY, REMOCON-SXMR
	610 273 3860	INST MANUAL - F2KT (1) (GB, D, F, NL)
	610 273 4089	INST MANUAL - F2KT (2) (I, S, FIN, DK)
	610 273 4225	INST MANUAL - F2KT (3) (P, GR, ES)

CHASSIS ELECTRICAL PARTS LIST

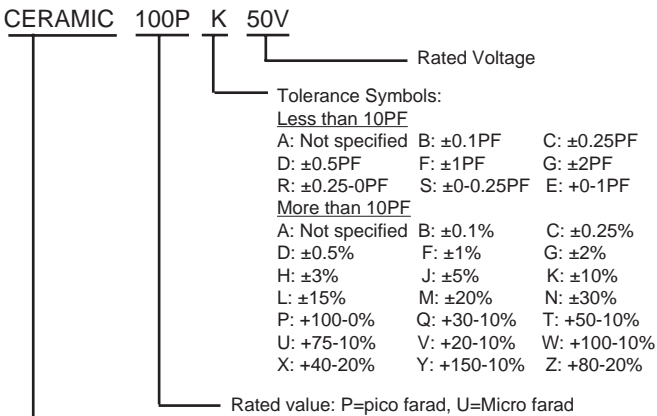
Product safety should be considered when a component replacement is made in any area of a receiver. Components indicated by a ⚠ mark in this parts list and the circuit diagram show components whose value have special significance to product safety. It is particularly recommended that only parts specified on the following parts list be used for components replacement pointed out by the mark.

Note: Parts order must contain Service Ref. No., Part No., and descriptions.

Ref. No.	Part No.	Description	Ref. No.	Part No.	Description
----------	----------	-------------	----------	----------	-------------

Read description in the Capacitor and Resistor as follows:

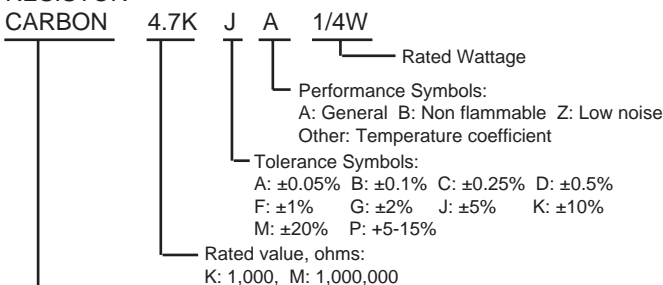
CAPACITOR



Material:

- CERAMIC..... Ceramic
- MT-PAPER..... Metallized Paper
- POLYESTER..... Polyester
- MT-POLYEST.... Metallized Polyester
- POLYPRO..... Polypropylene
- MT-POLYPRO.... Metallized Polypropylene
- COMPO FILM..... Composite film
- MT-COMPO..... Metallized Composite
- STYRENE..... Styrene
- TA-SOLID..... Tantalum Solid
- AL-SOLID..... Aluminium Solid
- ELECT..... Electrolytic
- NP-ELECT..... Non-polarised Electrolytic
- OS-SOLID..... Aluminium Solid with Organic Semiconductive Electrolytic
- DL-ELECT..... Double Layered Electrolytic

RESISTOR



Material:

- CARBON..... Carbon
- MT-FILM..... Metal Film
- OXIDE-MT..... Oxide Metal Film
- SOLID..... Composition
- MT-GLAZE..... Metal Glaze
- WIRE WOUND... Wire Wound
- CERAMIC RES.. Ceramic
- FUSIBLE RES.... Fusible

Chassis Construction:

SERVICEREF. NO. CE32WN1-C-00

610 274 3272	ASSY, PWB, CRT F2KB	(See page 23)
610 267 6860	ASSY, PWB, FRONT F2HV	(See page 24)
610 267 6877	ASSY, PWB, SUB POW. F2HV	(See page 25)
610 266 4850	ASSY, PWB, POW/DEF. F2HV	(See page 26)
610 273 2740	ASSY, PWB, MAIN F2KT	(See page 29)
610 266 4300	ASSY, PWB, SIF F2HV	(See page 33)
1AAOB10HO32EA	ASSY, PWB, NICAM F2KV	(See page 33)
610 266 4324	ASSY, PWB, SUB VIDEO F2HV	(See page 34)
610 266 4331	ASSY, PWB, BACK TERM F2HV	(See page 35)
610 266 4812	ASSY, PWB, TEXT F2HV	(See page 37)

SERVICE REF. NO. CE32W1-C-00

610 274 3272	ASSY, PWB, CRT F2KB	(See page 23)
610 267 6860	ASSY, PWB, FRONT F2HV	(See page 24)
610 267 6877	ASSY, PWB, SUB POW. F2HV	(See page 25)
610 266 4850	ASSY, PWB, POW/DEF. F2HV	(See page 26)
610 273 2740	ASSY, PWB, MAIN F2KT	(See page 29)
610 266 4300	ASSY, PWB, SIF F2HV	(See page 33)
*1AAOB10HO32AC	ASSY, PWB, NICAM F2KT	(See page 38)
610 266 4324	ASSY, PWB, SUB VIDEO F2HV	(See page 34)
610 266 4331	ASSY, PWB, BACK TERM F2HV	(See page 35)
610 266 4812	ASSY, PWB, TEXT F2HV	(See page 37)

*THIS PANEL IS THE ONLY DIFFERENCE BETWEEN 32WN2&32W2

OUT OF CIRCUIT BOARD

PICTURE TUBE

⚠Q901	414 009 5209	CRT W76LFC185X 32" 16*9
-------	--------------	-------------------------

COIL

⚠L901	645 030 2626	D/COIL 32 WIDE A1084100
⚠L902	645 030 1759	YOKE, DEFLECTION

MISCELLANEOUS

A901	610 003 1708	CG PURITY MAGNET
	610 003 1739	CG PURITY MAGNET
SP901	645 011 1358	ASSY, SPEAKER
SP902	645 011 1358	ASSY, SPEAKER
WOC19G	645 019 2906	CORD, ID CONNECTOR
WEOEM	645 019 2890	CORD, ID CONNECTOR
W1OS2CC	645 013 0137	CORD, ID CONNECTOR
⚠W901	645 012 7632	ASSY, CORD, POWER
W902	610 274 7898	ASSY WIRE, GND CONECTOR S4
W902A	610 206 0300	GROUNDING SPRING- S4LA
W902B	610 206 0300	GROUNDING SPRING- S4LA

Ref. No.	Part No.	Description	Ref. No.	Part No.	Description
610 274 3272 ASSY,PWB,CRT F2KB (1AA0B10E125B0)			R782	401 027 2303	CARBON 560 JA 1/6W
TRANSISTOR			R786	401 064 9907	OXIDE-MT 10K JA 2W
Q761	405 011 7305	TR 2SC1740-Q	R788	401 009 1508	CARBON 2.7K JA 1/2W
	405 011 7404	TR 2SC1740-R	R792	401 007 5805	CARBON 120K JA 1/2W
	405 011 7503	TR 2SC1740-S	R793	401 027 8602	CARBON 8.2K JA 1/6W
	405 011 8401	TR 2SC1740S-Q	R794	401 057 6807	OXIDE-MT 0.68 JA 1W
	405 011 8500	TR 2SC1740S-R	R797	401 002 6500	SOLID 470K KA 1/2W
	405 011 8609	TR 2SC1740S-S	VARIABLE RESISTOR		
	405 012 2002	TR 2SC1815-GR	VR761	645 003 5647	VR, SEMI, 1K N
	405 012 2101	TR 2SC1815-0	VR762	645 003 5647	VR, SEMI, 1K N
	405 012 2309	TR 2SC1815-Y	VR772	645 003 5647	VR, SEMI, 1K N
	405 019 1909	TR 2SC536-E-NP	VR781	645 003 5647	VR, SEMI, 1K N
	405 019 2708	TR 2SC536-F-NP	VR782	645 003 5647	VR, SEMI, 1K N
	405 019 3804	TR 2SC536-G-NP	COIL		
	405 020 7501	TR 2SC945A-PA	L761	645 001 4796	INDUCTOR, 150U K
	405 020 7709	TR 2SC945A-QA	L771	645 001 4796	INDUCTOR, 150U K
	405 020 7907	TR 2SC945A-RA	L781	645 001 4796	INDUCTOR, 150U K
Q762	406 009 9509	TR 2SC4544	L791	645 001 4758	INDUCTOR, 100U K
Q771	405 011 7305	TR 2SC1740-Q	MISCELLANEOUS		
	405 011 7404	TR 2SC1740-R	K7A	645 004 2911	PLUG, 5P
	405 011 7503	TR 2SC1740-S	△K761	610 249 4136	CRT SOCKET
	405 011 8401	TR 2SC1740S-Q		610 248 4717	CRT SOCKET
	405 011 8500	TR 2SC1740S-R		610 252 1900	CRT SOCKET
	405 011 8609	TR 2SC1740S-S	K761F01	610 246 7451	CORD, FOCUS
	405 012 2002	TR 2SC1815-GR	610 267 6860 ASSY,PWB,FRONT F2HV (1AA0B10E276B0)		
	405 012 2101	TR 2SC1815-0	TRANSISTOR		
	405 012 2309	TR 2SC1815-Y	Q1101	405 011 7404	TR 2SC1740-R
	405 019 1909	TR 2SC536-E-NP		405 011 7503	TR 2SC1740-S
	405 019 2708	TR 2SC536-F-NP		405 011 8500	TR 2SC1740S-R
	405 019 3804	TR 2SC536-G-NP		405 011 8609	TR 2SC1740S-S
	405 020 7501	TR 2SC945A-PA		405 012 2002	TR 2SC1815-GR
	405 020 7709	TR 2SC945A-QA		405 019 2708	TR 2SC536-F-NP
	405 020 7907	TR 2SC945A-RA		405 019 3804	TR 2SC536-G-NP
Q772	406 009 9509	TR 2SC4544	Q1106	405 011 7404	TR 2SC1740-R
Q781	405 011 7305	TR 2SC1740-Q		405 011 7503	TR 2SC1740-S
	405 011 7404	TR 2SC1740-R		405 011 8500	TR 2SC1740S-R
	405 011 7503	TR 2SC1740-S		405 011 8609	TR 2SC1740S-S
	405 011 8401	TR 2SC1740S-Q		405 012 2002	TR 2SC1815-GR
	405 011 8500	TR 2SC1740S-R		405 019 2708	TR 2SC536-F-NP
	405 011 8609	TR 2SC1740S-S		405 019 3804	TR 2SC536-G-NP
	405 012 2002	TR 2SC1815-GR	Q1901	405 011 7404	TR 2SC1740-R
	405 012 2101	TR 2SC1815-0		405 011 7503	TR 2SC1740-S
	405 012 2309	TR 2SC1815-Y		405 011 8500	TR 2SC1740S-R
	405 019 1909	TR 2SC536-E-NP		405 011 8609	TR 2SC1740S-S
	405 019 2708	TR 2SC536-F-NP		405 012 2002	TR 2SC1815-GR
	405 019 3804	TR 2SC536-G-NP		405 019 2708	TR 2SC536-F-NP
	405 020 7501	TR 2SC945A-PA		405 019 3804	TR 2SC536-G-NP
	405 020 7709	TR 2SC945A-QA		405 020 7501	TR 2SC945A-PA
	405 020 7907	TR 2SC945A-RA	Q681	405 014 8408	TR 2SC2568(1)-K
Q782	406 009 9509	TR 2SC4544		405 014 8507	TR 2SC2568(1)-L
				405 041 6507	TR 2SC2621-D-RA
				405 041 6705	TR 2SC2621-E-RA
CAPACITOR			CAPACITOR		
C761	403 142 3203	CERAMIC 470P K 50V	C042	403 069 8305	CERAMIC 0.01U Z 50V
C771	403 142 3302	CERAMIC 560P K 50V	C043	403 069 8305	CERAMIC 0.01U Z 50V
C781	403 142 3302	CERAMIC 560P K 50V	C046	403 140 9207	NP-ELECT 10U M 16V
C792	403 155 3009	ELECT 47U M 25V	C047	403 140 9207	NP-ELECT 10U M 16V
C793	403 260 0801	ELECT 4.7U M 250V	C049	403 069 8305	CERAMIC 0.01U Z 50V
C794	403 075 7101	CERAMIC 1000P K 500V	C050	403 069 8305	CERAMIC 0.01U Z 50V
C795	403 290 3902	CERAMIC 1000P K 2K	C1101	403 009 3001	CERAMIC 100P J 50V
RESISTOR			RESISTOR		
R762	401 027 2303	CARBON 560 JA 1/6W	R762	401 027 2303	CARBON 560 JA 1/6W
R766	401 064 9907	OXIDE-MT 10K JA 2W	R766	401 064 9907	OXIDE-MT 10K JA 2W
R768	401 009 1508	CARBON 2.7K JA 1/2W	R768	401 009 1508	CARBON 2.7K JA 1/2W
R772	401 027 2303	CARBON 560 JA 1/6W	R772	401 027 2303	CARBON 560 JA 1/6W
R773	401 019 1000	CARBON 390 JA 1/4W	R773	401 019 1000	CARBON 390 JA 1/4W
R776	401 064 9907	OXIDE-MT 10K JA 2W	R776	401 064 9907	OXIDE-MT 10K JA 2W
R778	401 009 1508	CARBON 2.7K JA 1/2W	R778	401 009 1508	CARBON 2.7K JA 1/2W
R780	403 036 5316	CERAMIC 68P J 500V	R780	403 036 5316	CERAMIC 68P J 500V

Ref. No.	Part No.	Decription	Ref. No.	Part No.	Decription
C1102	403 069 0507	CERAMIC 1000P K 50V		407 013 6508	DIODE 1S2471
C1103	403 248 1905	ELECT 10U M 16V	D686	407 053 6803	ZENER DIODE MTZ5. 6C
C1104	403 248 1905	ELECT 10U M 16V		407 057 0104	ZENER DIODE RD5. 6EB3
C1106	403 009 3001	CERAMIC 100P J 50V		407 151 8501	ZENER DIODE UZ- 5. 6BC8
C1107	403 069 0507	CERAMIC 1000P K 50V			
C1108	403 248 1905	ELECT 10U M 16V			
C1109	403 248 1905	ELECT 10U M 16V			
C1117	403 008 5105	CERAMIC 10P D 50V			
C681	403 210 5504	ELECT 470U M 35V			
C682	403 160 0000	ELECT 470U M 10V			
C683	403 248 3107	ELECT 3. 3U M 50V			
RESISTOR			MISCELLANEOUS		
R046	401 007 7601	CARBON 150 JA 1/2W	A1901	645 007 1546	UNIT, REMOCON RECEIVER
R047	401 007 7601	CARBON 150 JA 1/2W		645 020 9277	UNIT, REMOCON RECEIVER
R048	401 024 6700	CARBON 100 JA 1/6W		610 224 5806	RC PREAMP 409- 1L
R1101	401 025 7805	CARBON 2. 2K JA 1/6W	KOG	645 004 2904	PLUG, 4P
R1102	401 024 7707	CARBON 100K JA 1/6W	KOH	645 004 2904	PLUG, 4P
R1103	401 024 7707	CARBON 100K JA 1/6W	KOL	645 004 2898	PLUG, 3P
R1104	401 025 8703	CARBON 220K JA 1/6W	KOM	645 004 2935	PLUG, 7P
R1105	401 027 2600	CARBON 5. 6K JA 1/6W	KOR	645 004 2898	PLUG, 3P
R1106	401 025 7805	CARBON 2. 2K JA 1/6W	KO41	645 018 8831	JACK, PHONE D3. 6
R1107	401 024 7707	CARBON 100K JA 1/6W		610 009 8053	JACK, PHONE D3. 6
R1108	401 024 7707	CARBON 100K JA 1/6W	K1101	645 002 0568	TERMI NAL, BOARD
R1109	401 025 8703	CARBON 220K JA 1/6W	K19B1	645 008 4058	TERMI NAL, PLUG
R1110	401 027 2600	CARBON 5. 6K JA 1/6W	K19B2	645 008 4058	TERMI NAL, PLUG
R1116	401 027 6608	CARBON 75 JA 1/6W	K19B3	645 008 4058	TERMI NAL, PLUG
R1901	401 025 3807	CARBON 180 JA 1/6W	K19C1	645 008 4058	TERMI NAL, PLUG
R1902	401 025 1605	CARBON 1. 5K JA 1/6W	K19C2	645 008 4058	TERMI NAL, PLUG
R1903	401 026 9600	CARBON 470 JA 1/6W	K19F	645 004 2928	PLUG, 6P
R1904	401 025 1605	CARBON 1. 5K JA 1/6W	K19G	645 004 2959	PLUG, 9P
R1905	401 025 4200	CARBON 1. 8K JA 1/6W	K19M	645 004 2898	PLUG, 3P
R1906	401 026 4308	CARBON 3. 3K JA 1/6W	SW1901	645 003 4701	SWIT CH, PUSH 1P- 1TX1
R1907	401 026 9907	CARBON 4. 7K JA 1/6W	SW1902	645 003 4701	SWIT CH, PUSH 1P- 1TX1
R1908	401 027 5502	CARBON 6. 8K JA 1/6W	SW1903	645 003 4701	SWIT CH, PUSH 1P- 1TX1
R1909	401 025 4606	CARBON 18K JA 1/6W	SW1904	645 003 4701	SWIT CH, PUSH 1P- 1TX1
R1910	401 027 0309	CARBON 47K JA 1/6W	SW1905	645 003 4701	SWIT CH, PUSH 1P- 1TX1
R682	401 016 3809	CARBON 2. 2K JA 1/4W	SW1906	645 003 4701	SWIT CH, PUSH 1P- 1TX1
R684	401 027 8602	CARBON 8. 2K JA 1/6W	SW1907	610 011 4432	SWIT CH, PUSH
R685	401 026 9907	CARBON 4. 7K JA 1/6W	△SW601	645 003 6811	SWIT CH, PUSH POWER 2P- 2T
R686	401 024 7400	CARBON 10K JA 1/6W			
TRANSFORMER			610 267 6877 ASSY,PWB,SUB POW.F2HV 1AA0B10E277A0		
△T681	610 033 3758	POWER TRANS	CAPACITOR		
	610 240 4722	POWER TRANS	C1617	404 044 2806	CERAMIC 470P K 400V
COIL				404 060 6901	CERAMIC 470P M 400V
L041	645 002 1787	CORE, PIPE	C601	404 066 1702	MT- POLYEST 0. 1U M 275V
L042	645 008 5635	INDUCTOR, 12U K		404 044 0901	MT- COMPO 0. 1U M 250V
L043	645 008 5635	INDUCTOR, 12U K	C602	404 066 1702	MT- POLYEST 0. 1U M 275V
L1101	645 001 4567	INDUCTOR, 10U K		404 044 0901	MT- COMPO 0. 1U M 250V
L1106	645 001 4567	INDUCTOR, 10U K	C603	403 076 7100	CERAMIC 1000P M 1K
DIODE			C604	403 076 7100	CERAMIC 1000P M 1K
D1102	407 005 4505	DIODE DS442X	C605	403 076 7100	CERAMIC 1000P M 1K
	407 013 1206	DIODE 1S1555	C606	403 076 7100	CERAMIC 1000P M 1K
	407 013 4207	DIODE 1S2076	C607	403 076 4000	CERAMIC 4700P K 500V
D1103	407 013 7109	DIODE 1S2473	RESISTOR		
	407 005 4505	DIODE DS442X	R601	401 010 4802	CARBON 470K JA 1/2W
	407 013 1206	DIODE 1S1555	R602A	402 058 8708	WI RE WOUND 3. 9 KA 10W
	407 013 4207	DIODE 1S2076		402 072 2508	WI RE WOUND 3. 9 KA 10W
	407 013 7109	DIODE 1S2473	COIL		
D1901	407 042 7309	LED TLR144	L601	610 237 1000	PI PE CORE
D1901A	610 252 7018	HOLDER LED S- S6KH	L602	610 237 1000	PI PE CORE
	610 230 6453	LED HOLDER- S6KH	L603	645 019 3873	LI NE FILTER
D1903	407 007 9904	DIODE GMA01	DIODE		
	407 012 4406	DIODE 1SS133	D603	407 006 6300	DI ODE ERC05- 10B
	407 012 5809	DIODE 1SS176		407 009 6901	DI ODE RM11C
D682	407 005 7308	DIODE EM01Z- V1	D604	407 006 6300	DI ODE ERC05- 10B
	407 005 8602	DIODE ERA15- 02- V1		407 009 6901	DI ODE RM11C
D685	408 008 2406	DIODE 1N4148	D605	407 006 6300	DI ODE ERC05- 10B
	407 013 1008	DIODE 1S1553		407 009 6901	DI ODE RM11C
	407 013 4306	DIODE 1S2076A	D606	407 006 6300	DI ODE ERC05- 10B

Ref. No.	Part No.	Description	Ref. No.	Part No.	Description
	407 009 6901	DIODE RM11C		405 011 8500	TR 2SC1740S-R
MISCELLANEOUS				405 011 8609	TR 2SC1740S-S
△F601	423 022 2102	FUSE 250V 4A		405 012 2002	TR 2SC1815-GR
F601A	645 000 5077	HOLDER, FUSE		405 019 2708	TR 2SC536-F-NP
F601B	645 000 5077	HOLDER, FUSE		405 019 3804	TR 2SC536-G-NP
H1603	610 133 2408	FIXER HOOK, 18. 2X10(PA)	Q542	405 020 7501	TR 2SC945A-PA
K16A1	645 008 4058	TERMI NAL, PLUG		405 011 7404	TR 2SC1740-R
K16A2	645 008 4058	TERMI NAL, PLUG		405 011 7503	TR 2SC1740-S
K16A3	645 008 4058	TERMI NAL, PLUG		405 011 8500	TR 2SC1740S-R
K16B1	645 008 4058	TERMI NAL, PLUG		405 011 8609	TR 2SC1740S-S
K16B2	645 008 4058	TERMI NAL, PLUG		405 012 2002	TR 2SC1815-GR
K16B3	645 008 4058	TERMI NAL, PLUG		405 019 2708	TR 2SC536-F-NP
K16B3	645 008 4058	TERMI NAL, PLUG		405 019 3804	TR 2SC536-G-NP
K16C1	645 008 4058	TERMI NAL, PLUG		405 020 7501	TR 2SC945A-PA
K16C2	645 008 4058	TERMI NAL, PLUG	Q614	405 011 7404	TR 2SC1740-R
K16D1	645 008 4058	TERMI NAL, PLUG		405 011 7503	TR 2SC1740-S
K16D2	645 008 4058	TERMI NAL, PLUG		405 011 8500	TR 2SC1740S-R
K16E1	645 008 4058	TERMI NAL, PLUG		405 011 8609	TR 2SC1740S-S
K16E2	645 008 4058	TERMI NAL, PLUG		405 012 2002	TR 2SC1815-GR
K16R1-3	645 004 2898	PLUG, 3P		405 019 2708	TR 2SC536-F-NP
△PS601	408 024 1605	TH PTH451C472BD140N270		405 019 3804	TR 2SC536-G-NP
-----			Q616	405 020 7501	TR 2SC945A-PA
610 273 2733 ASSY,PWB,POW/DEF.F2KT (1AA0B10E278D0)				405 011 7404	TR 2SC1740-R
TRANSISTOR				405 011 7503	TR 2SC1740-S
Q402	405 029 7106	TR 2SC2271-D		405 011 8500	TR 2SC1740S-R
	405 029 7205	TR 2SC2271-E		405 011 8609	TR 2SC1740S-S
Q403	405 112 7600	TR 2SD1880-CTV- YB		405 012 2002	TR 2SC1815-GR
Q421	406 012 1408	TR 2SK2010-CTV- YA14	Q632	405 019 2708	TR 2SC536-F-NP
Q461	405 039 3303	TR 2SC3114-R		405 019 3804	TR 2SC536-G-NP
	405 039 3402	TR 2SC3114-S		405 020 7501	TR 2SC945A-PA
	405 017 1901	TR 2SC3114-T		406 000 6804	TR 2SA1015-GR(SAN)
Q462	405 138 0906	TR 2SB1370-D		405 001 7605	TR 2SA1015-Y(SAN)
	405 138 1002	TR 2SB1370-E		405 004 3208	TR 2SA564A-R(CU)
	405 138 1101	TR 2SB1370-F	Q633	405 004 4809	TR 2SA608-F-CTV- NP
	405 138 1200	TR 2SB1565-D		405 006 1202	TR 2SA933-R
	405 138 1309	TR 2SB1565-E	Q634	405 006 1806	TR 2SA933S-R
	405 138 1408	TR 2SB1565-F		405 058 0208	TR 2SC3807-R-CTV- YA
Q501	405 011 7404	TR 2SC1740-R	Q651	405 095 0407	TR 2SC4429-L- YB
	405 011 7503	TR 2SC1740-S		405 095 0308	TR 2SC4429-M- YB
	405 011 8500	TR 2SC1740S-R		405 064 7406	TR 2SB1274-R- RA
	405 011 8609	TR 2SC1740S-S	INTEGRATED CIRCUIT		
	405 012 2002	TR 2SC1815-GR	IC481	409 241 5407	IC BA178M05T
	405 019 2708	TR 2SC536-F-NP		409 172 1509	IC MC78M05CT
	405 019 3804	TR 2SC536-G-NP		409 320 5700	IC UPC78M05AHF
	405 020 7501	TR 2SC945A-PA	IC501	409 192 5709	IC LA7833
Q505	405 039 3303	TR 2SC3114-R	IC521	409 198 9206	IC BA4558N
	405 039 3402	TR 2SC3114-S	IC531	409 382 5304	IC TA8859AP
	405 017 1901	TR 2SC3114-T	IC611	409 169 5800	IC SE140NL
Q521	405 011 7404	TR 2SC1740-R	IC651	409 036 8408	IC M5237L
	405 011 7503	TR 2SC1740-S	CAPACITOR		
	405 011 8500	TR 2SC1740S-R	C401	403 270 4004	MF- POLYEST 0.056U K 63V
	405 011 8609	TR 2SC1740S-S		403 260 3109	MF- COMPO 0.056U J 50V
	405 012 2002	TR 2SC1815-GR	C402	403 178 8807	ELECT 33U M 100V
	405 019 2708	TR 2SC536-F-NP	C403	403 076 3607	CERAMI C 470P K 500V
	405 019 3804	TR 2SC536-G-NP	C404	403 076 0507	CERAMI C 2200P K 500V
	405 020 7501	TR 2SC945A-PA	△C421	404 074 4009	MF- POLYPRO 8000P J 1.5K
Q531	405 011 7404	TR 2SC1740-R		404 068 6200	MF- POLYPRO 8000P H 1.5K
	405 011 7503	TR 2SC1740-S	△C422	404 060 9407	MF- POLYPRO 9800P J 1.5K
	405 011 8500	TR 2SC1740S-R	△C424	403 082 8009	POLYPRO 0.2U J 200V
	405 011 8609	TR 2SC1740S-S	C425	403 083 1801	POLYPRO 0.082U J 200V
	405 012 2002	TR 2SC1815-GR	C425TM	403 082 6906	POLYPRO 0.12U J 200V
	405 019 2708	TR 2SC536-F-NP	△C426	403 082 8009	POLYPRO 0.2U J 200V
	405 019 3804	TR 2SC536-G-NP	△C427	403 082 9006	POLYPRO 0.27U J 200V
	405 020 7501	TR 2SC945A-PA	C429	403 066 6106	MF- POLYEST 0.47U J 250V
Q541	405 011 7404	TR 2SC1740-R	C434	403 270 3809	MF- POLYEST 0.047U K 63V
	405 011 7503	TR 2SC1740-S		403 225 2703	MF- COMPO 0.047U J 50V
			C435	403 248 2803	ELECT 2.2U M 50V
			C439	403 165 7004	CERAMI C 470P K 3K

Ref. No.	Part No.	Decription	Ref. No.	Part No.	Decription
C462	403 069 8305	CERAMIC 0.01U Z 50V	R402	401 024 7004	CARBON 1K JA 1/6W
C463	403 270 4202	MT-POLYEST 0.068U K 63V	R403	401 018 9809	CARBON 39 JA 1/4W
	403 249 9405	MT-COMPO 0.068U J 50V	R405	401 010 8305	CARBON 5.6K JA 1/2W
C464	403 060 8403	POLYESTER 0.033U K 50V	R416	401 064 9907	OXIDE-MT 10K JA 2W
	403 179 1609	POLYESTER 0.033U K 50V	R417	401 065 4604	OXIDE-MT 12K JA 2W
C465	403 084 1008	POLYPRO 0.027U J 630V	R418	401 024 7400	CARBON 10K JA 1/6W
C466	403 083 9302	POLYPRO 0.015U J 630V	R421	401 024 7004	CARBON 1K JA 1/6W
C467	403 188 0808	MT-POLYEST 2.2U J 100V	R422	401 016 4806	CARBON 22K JA 1/4W
C469	403 188 0808	MT-POLYEST 2.2U J 100V	R424	401 022 4104	CARBON 68K JA 1/4W
C470	403 076 1405	CERAMIC 2700P K 500V	R425	401 065 2808	OXIDE-MT 120 JA 2W
C472	403 274 4208	POLYESTER 6800P K 100V	R426	402 066 4105	WIRE WOUND 4.7 KA 7W
	403 289 0707	POLYESTER 6800P K 100V		402 076 0005	WIRE WOUND 4.7 KA 7W
C481	403 106 4604	ELECT 33U M 250V	R427	401 062 2306	OXIDE-MT 4.7K JA 1W
C482	403 233 0302	ELECT 100U M 16V	R429	401 024 6700	CARBON 100 JA 1/6W
C486	403 233 0609	ELECT 47U M 25V	R432	401 066 3705	OXIDE-MT 2.7 JA 2W
C491	403 049 4204	ELECT 10U M 50V	R435	401 058 3706	OXIDE-MT 1K JA 1W
	403 233 0807	ELECT 10U M 50V	R436	401 007 2309	CARBON 100K JA 1/2W
C501	403 102 8408	MT-POLYEST 0.1U K 100V	R437	401 024 7400	CARBON 10K JA 1/6W
C502	403 075 7101	CERAMIC 1000P K 500V	R461	401 025 8208	CARBON 22K JA 1/6W
C503	403 023 9607	CERAMIC 39P J 50V	R462	401 026 9303	CARBON 47 JA 1/6W
C504	403 217 1103	ELECT 220U M 35V	R471	401 026 3905	CARBON 330 JA 1/6W
C506	403 054 1502	ELECT 470U M 35V	R474	401 027 0309	CARBON 47K JA 1/6W
	403 210 5504	ELECT 470U M 35V	R475	401 027 5205	CARBON 680 JA 1/6W
C507	403 258 3401	ELECT 10U M 25V	R476	401 026 7408	CARBON 39K JA 1/6W
C508	403 069 8305	CERAMIC 0.01U Z 50V	ΔR477	402 060 7805	FUSIBLE RES 2.7 J- 1/2W
C509	403 258 3401	ELECT 10U M 25V	R478	401 024 7707	CARBON 100K JA 1/6W
C511	403 064 1202	POLYESTER 0.1U K 100V	ΔR481	402 022 2008	FUSIBLE RES 1 J- 1/2W
	403 276 9706	POLYESTER 0.1U K 100V	R482	401 057 9907	OXIDE-MT 1.5 JA 1W
C512	403 233 0500	ELECT 3300U M 25V	R485	401 010 7605	CARBON 560 JA 1/2W
C521	403 248 2803	ELECT 2.2U M 50V	R486	401 009 0907	CARBON 270 JA 1/2W
C531	403 233 0302	ELECT 100U M 16V	R488	401 027 8602	CARBON 8.2K JA 1/6W
C534	403 062 0504	POLYESTER 0.047U K 50V	R491	401 009 5803	CARBON 330 JA 1/2W
	403 179 0909	POLYESTER 0.047U K 50V	R493	401 025 7805	CARBON 2.2K JA 1/6W
C536	403 075 4209	CERAMIC 820P K 50V	ΔR501	402 059 4402	FUSIBLE RES 150 J- 1/2W
C541	403 059 0104	POLYESTER 0.018U K 50V	ΔR502	402 063 3309	FUSIBLE RES 1.5 J- 1/4W
	403 179 2804	POLYESTER 0.018U K 50V	R503	401 060 2704	OXIDE-MT 220 JA 1W
C542	403 091 2500	TA-SOLID 2.2U K 16V	R504	401 058 3706	OXIDE-MT 1K JA 1W
C543	403 257 0807	ELECT 0.47U M 50V	R505	401 066 6102	OXIDE-MT 220 JA 2W
C546	403 248 1400	ELECT 1U M 50V	R506	401 027 3003	CARBON 56K JA 1/6W
C616	404 037 0703	ELECT 470U M 160V	R507	401 026 9907	CARBON 4.7K JA 1/6W
	404 038 0900	ELECT 470U M 160V	R508	401 026 9907	CARBON 4.7K JA 1/6W
C617	403 222 1303	CERAMIC 1000P K 1K	R510	401 024 7004	CARBON 1K JA 1/6W
	403 271 9602	CERAMIC 1000P K 1K	R511	401 026 1000	CARBON 2.7K JA 1/6W
	403 262 1806	CERAMIC 1000P K 1K	R512	401 057 8009	OXIDE-MT 1 JA 1W
C618	403 155 1203	ELECT 3300U M 25V	R514	401 020 2003	CARBON 4.7K JA 1/4W
C621	403 154 8500	ELECT 3300U M 35V	R515	401 026 9907	CARBON 4.7K JA 1/6W
C623	403 222 1303	CERAMIC 1000P K 1K	R521	401 026 4605	CARBON 33K JA 1/6W
	403 271 9602	CERAMIC 1000P K 1K	R522	401 025 1902	CARBON 15K JA 1/6W
	403 262 1806	CERAMIC 1000P K 1K	R523	401 027 8602	CARBON 8.2K JA 1/6W
C624	403 148 2002	ELECT 470U M 35V	R524	401 024 9305	CARBON 1.2K JA 1/6W
C631	403 057 3107	POLYESTER 0.1U K 50V	R526	401 027 5908	CARBON 68K JA 1/6W
	403 181 8207	POLYESTER 0.1U K 50V	R527	401 025 8208	CARBON 22K JA 1/6W
C632	403 058 2604	POLYESTER 0.015U J 50V	R528	401 025 4200	CARBON 1.8K JA 1/6W
	403 179 3207	POLYESTER 0.015U J 50V	R532	401 026 7606	CARBON 390K JA 1/6W
ΔC633	404 063 0500	ELECT 270U M 400V	R533	401 025 0004	CARBON 120K JA 1/6W
C634	403 247 2101	CERAMIC 2200P K 2K	R534	401 025 4903	CARBON 180K JA 1/6W
	403 232 1508	CERAMIC 2200P K 2K	R536	401 024 7400	CARBON 10K JA 1/6W
ΔC636	404 059 9203	CERAMIC 1000P M 400V	R537	401 025 4200	CARBON 1.8K JA 1/6W
	404 060 6000	CERAMIC 1000P M 400V	R539	401 024 7004	CARBON 1K JA 1/6W
ΔC637	403 060 8403	POLYESTER 0.033U K 50V	R540	401 024 7004	CARBON 1K JA 1/6W
	403 179 1609	POLYESTER 0.033U K 50V	R542	401 025 4606	CARBON 18K JA 1/6W
C651	403 233 0302	ELECT 100U M 16V	R543	401 026 9600	CARBON 470 JA 1/6W
C652	403 208 6308	ELECT 220U M 16V	R544	401 026 9600	CARBON 470 JA 1/6W
C653	403 069 8305	CERAMIC 0.01U Z 50V	R545	401 024 6700	CARBON 100 JA 1/6W
C654	403 206 5709	MT-POLYEST 0.33U J 50V	R546	401 025 8208	CARBON 22K JA 1/6W
	403 260 2904	MT-COMPO 0.33U J 50V	R547	401 026 4308	CARBON 3.3K JA 1/6W
			R548	401 024 7400	CARBON 10K JA 1/6W
			R549	401 024 7400	CARBON 10K JA 1/6W
RESISTOR			R550	401 024 7707	CARBON 100K JA 1/6W
R401	401 026 3905	CARBON 330 JA 1/6W			

Ref. No.	Part No.	Description	Ref. No.	Part No.	Description
R614	401 023 3403	CARBON 82K GA 1/4W	D466	407 007 9904	DIODE GMA01
R615	401 016 8309	CARBON 24K GA 1/4W		407 012 4406	DIODE 1SS133
R616	401 024 7400	CARBON 10K JA 1/6W	D481	407 005 9609	DIODE ERA22-04
R617	401 024 7400	CARBON 10K JA 1/6W		407 007 7009	DIODE EU01
R625	401 016 4806	CARBON 22K JA 1/4W	D482	407 007 7603	DIODE EU2
R626	401 026 9600	CARBON 470 JA 1/6W		407 007 7801	DIODE EU2Z
R628	401 065 8503	OXIDE-MT 15K JA 2W	D486	407 007 7405	DIODE EU1
R631	401 011 2708	CARBON 68K JA 1/2W	D487	407 164 7805	ZENER DIODE UZ-20BCA
R632	401 027 2600	CARBON 5.6K JA 1/6W	D491	408 008 2406	DIODE 1N4148
R633	401 015 2209	CARBON 1.8K GA 1/4W		407 013 4306	DIODE 1S2076A
R634	401 014 5201	CARBON 15K JA 1/4W		407 013 6508	DIODE 1S2471
△R636	402 061 1109	FUSIBLE RES 47 J- 1/4W	D492	407 057 9602	ZENER DIODE RD9.1EB1
R637	401 025 1605	CARBON 1.5K JA 1/6W		407 163 9909	ZENER DIODE UZ-9.1BCA
R638	401 024 9305	CARBON 1.2K JA 1/6W	D501	407 005 7308	DIODE EM01Z-V1
R639	401 025 8208	CARBON 22K JA 1/6W		407 005 8602	DIODE ERA15-02-V1
△R640	402 000 8305	SOLID 5.6M KA 1/2W	D502	407 005 4505	DIODE DS442X
△R641	402 000 8305	SOLID 5.6M KA 1/2W		408 008 2406	DIODE 1N4148
R642	401 066 5204	OXIDE-MT 22 JA 2W		407 012 4406	DIODE 1SS133
R643	401 066 5204	OXIDE-MT 22 JA 2W		407 013 4207	DIODE 1S2076
R644	401 067 4206	OXIDE-MT 33 JA 2W		407 013 7109	DIODE 1S2473
R645	401 007 5805	CARBON 120K JA 1/2W	D503	407 118 2207	ZENER DIODE 1Z75
R647	401 007 5805	CARBON 120K JA 1/2W	D544	407 005 4505	DIODE DS442X
R648	401 067 4206	OXIDE-MT 33 JA 2W		408 008 2406	DIODE 1N4148
R651	401 066 3002	OXIDE-MT 2.2 JA 2W		407 012 4406	DIODE 1SS133
R652	401 066 3002	OXIDE-MT 2.2 JA 2W		407 013 4207	DIODE 1S2076
R653	401 061 0006	OXIDE-MT 3.3 JA 1W		407 013 7109	DIODE 1S2473
R654	401 025 7409	CARBON 220 JA 1/6W	D545	407 005 4505	DIODE DS442X
R656	401 156 8504	MT-FILM 33K FA 1/6W		408 008 2406	DIODE 1N4148
R658	401 026 6906	CARBON 3.9K GA 1/6W		407 012 4406	DIODE 1SS133
				407 013 4207	DIODE 1S2076
				407 013 7109	DIODE 1S2473
TRANSFORMER					
T401	610 000 1138	DRIVE TRANS	D611A	407 171 0905	DIODE RU4YX-S
	610 223 1663	DRIVE TRANS	D613	407 007 7603	DIODE EU2
△T402	645 030 4170	TRANS, FLYBACK		407 007 7801	DIODE EU2Z
△T611	645 018 9951	TRANS, POWER, PULSE	D615	407 171 0905	DIODE RU4YX-S
			D616	407 129 7000	DIODE RU4AM LF-L1
			D617	407 007 9904	DIODE GMA01
COIL				407 012 4406	DIODE 1SS133
L402	610 032 4381	FILTER COIL		407 052 3506	ZENER DIODE HZ35
	610 032 4404	FILTER COIL	D618	407 007 9904	DIODE GMA01
L407	610 220 8214	LINEARITY COIL	D619	407 012 4406	DIODE 1SS133
	610 220 8221	LINEARITY COIL		407 007 9904	DIODE GMA01
L407B1	645 008 4058	TERMINAL, PLUG	D622	407 007 9904	DIODE GMA01
L407B2	645 008 4058	TERMINAL, PLUG		407 012 4406	DIODE 1SS133
L407B3	645 008 4058	TERMINAL, PLUG	D623	407 007 9904	DIODE GMA01
L407B4	645 008 4058	TERMINAL, PLUG		407 012 4406	DIODE 1SS133
L425	610 211 3471	INDUCTOR	D624	407 007 9904	DIODE GMA01
L461	610 000 8663	COIL		407 012 4406	DIODE 1SS133
	645 016 9120	INDUCTOR, 420UH	D626	407 007 9904	DIODE GMA01
L462	610 031 1367	INDUCTOR 202J		407 012 4406	DIODE 1SS133
	610 211 3488	INDUCTOR	D627	407 007 9904	DIODE GMA01
	645 005 5645	INDUCTOR, 2200U K		407 012 4406	DIODE 1SS133
	645 007 8361	INDUCTOR, 2000U	D628	407 163 9503	ZENER DIODE UZ-36BCA
L501	645 001 5748	INDUCTOR, 33U K		407 164 4903	ZENER DIODE UZ-36BCB
L502	610 032 1250	INDUCTOR, 150U	D631	407 013 1008	DIODE 1S1553
L503	610 032 4381	FILTER COIL		407 013 4306	DIODE 1S2076A
	610 032 4404	FILTER COIL	D632	407 007 6606	DIODE ES1
	645 008 5642	INDUCTOR, 3.3U K		407 007 6903	DIODE ES1Z
L633	610 031 1572	INDUCTOR, 22U K	D633	407 057 9800	ZENER DIODE RD9.1EB3
			D634	407 005 4505	DIODE DS442X
				408 008 2406	DIODE 1N4148
DIODE				407 012 4406	DIODE 1SS133
D403	407 095 8001	DIODE ERD07-15L		407 013 4207	DIODE 1S2076
	407 125 6502	DIODE RS3FS LF-U1		407 013 7109	DIODE 1S2473
D427	407 053 8708	ZENER DIODE MTZ9.1A	D636	407 005 4505	DIODE DS442X
	407 057 9602	ZENER DIODE RD9.1EB1		408 008 2406	DIODE 1N4148
	407 163 9909	ZENER DIODE UZ-9.1BCA		407 012 4406	DIODE 1SS133
D461	407 007 9904	DIODE GMA01		407 013 4207	DIODE 1S2076
	407 012 4406	DIODE 1SS133		407 013 7109	DIODE 1S2473
D462	407 164 6907	ZENER DIODE UZ-12BCB		407 013 4207	DIODE 1S2076
D464	407 006 6805	DIODE ERC25-06		407 013 7109	DIODE 1S2473
	407 009 8806	DIODE RU3AM			

Ref. No.	Part No.	Decription	Ref. No.	Part No.	Decription
MISCELLANEOUS			Q1801	405 014 4509	TR 2SC2412K T146 R
I C423	407 104 2402	PHOTO COUPLE PC817C		405 015 8704	TR 2SC2812-L6- TB
	407 106 6101	PHOTO COUPLE PC817D	Q1802	405 014 4509	TR 2SC2412K T146 R
	407 002 6809	PHOTO COUPLE TLP521- 1- BL		405 015 8704	TR 2SC2812- L6- TB
I C501A	610 253 4603	ASSY, RADIATER B- S7KB	Q202	405 002 0308	TR 2SA1037K T146 R
I C501C	411 099 1500	SCR PAN+SW+W 3X12		405 002 6706	TR 2SA1179- M6- TB
I C501D	411 004 4404	NUT HEX 3	Q203	405 002 0308	TR 2SA1037K T146 R
Q403B	610 253 4597	ASSY, RADIATER A- S7KB		405 002 6706	TR 2SA1179- M6- TB
Q403D	411 099 1500	SCR PAN+SW+W 3X12	Q204	405 002 0308	TR 2SA1037K T146 R
Q403E	411 004 4404	NUT HEX 3		405 002 6706	TR 2SA1179- M6- TB
Q462A	610 257 6818	ASSY, HEAT SINK B- S3CAB	Q205	405 002 0308	TR 2SA1037K T146 R
Q462B	610 014 5818	WASHER		405 002 6706	TR 2SA1179- M6- TB
Q462D	411 099 1500	SCR PAN+SW+W 3X12	Q207	405 002 0308	TR 2SA1037K T146 R
Q462E	411 004 4404	NUT HEX 3		405 002 6706	TR 2SA1179- M6- TB
Q631	407 105 8700	PHOTO COUPLE PC113B	Q208	405 002 0308	TR 2SA1037K T146 R
	408 009 8407	PHOTO COUPLE CNY17F- 30PT6		405 002 6706	TR 2SA1179- M6- TB
Q634B	610 253 4597	ASSY, RADIATER A- S7KB	Q212	405 014 4509	TR 2SC2412K T146 R
Q634D	411 099 1500	SCR PAN+SW+W 3X12		405 015 8704	TR 2SC2812- L6- TB
Q634E	411 004 4404	NUT HEX 3	Q231	405 014 4509	TR 2SC2412K T146 R
O3	610 257 6870	HEAT SINK B- S3CAB		405 015 8704	TR 2SC2812- L6- TB
O3	610 252 3423	HOLDER HEAT SINK S7KAB	Q241	405 014 4509	TR 2SC2412K T146 R
K4A1	645 008 4058	TERMINAL, PLUG		405 015 8704	TR 2SC2812- L6- TB
K4A3	645 008 4058	TERMINAL, PLUG	Q242	405 002 0308	TR 2SA1037K T146 R
K4A5	645 008 4058	TERMINAL, PLUG		405 002 6706	TR 2SA1179- M6- TB
K4A6	645 008 4058	TERMINAL, PLUG	Q243	405 002 0308	TR 2SA1037K T146 R
K4B	645 005 6574	PLUG, 8P		405 002 6706	TR 2SA1179- M6- TB
K4C1	645 008 4058	TERMINAL, PLUG	Q261	405 014 4509	TR 2SC2412K T146 R
K4C2	645 008 4058	TERMINAL, PLUG		405 015 8704	TR 2SC2812- L6- TB
K4C3	645 008 4058	TERMINAL, PLUG	Q801	405 014 4509	TR 2SC2412K T146 R
K4E	645 005 6581	PLUG, 12P		405 015 8704	TR 2SC2812- L6- TB
K4H	645 008 4058	TERMINAL, PLUG	Q802	405 014 4509	TR 2SC2412K T146 R
K4S	645 008 4058	TERMINAL, PLUG		405 015 8704	TR 2SC2812- L6- TB
K6A	645 005 6581	PLUG, 12P	Q804	405 002 0308	TR 2SA1037K T146 R
K6D1	645 008 4058	TERMINAL, PLUG		405 002 6706	TR 2SA1179- M6- TB
K6D2	645 008 4058	TERMINAL, PLUG	Q805	405 014 4509	TR 2SC2412K T146 R
K6G	645 004 2898	PLUG, 3P		405 015 8704	TR 2SC2812- L6- TB
SW501	610 011 2728	SWITCH, LEVER 1P- 3T	Q806	405 014 4509	TR 2SC2412K T146 R
Y601	645 008 4058	TERMINAL, PLUG		405 015 8704	TR 2SC2812- L6- TB
610 273 2740 ASSY,PWB,MAIN F2KT (1AA0B10E279F0)			Q807	405 014 4509	TR 2SC2412K T146 R
				405 015 8704	TR 2SC2812- L6- TB
			Q808	405 019 1909	TR 2SC536- E- NP
				405 019 2708	TR 2SC536- F- NP
				405 019 3804	TR 2SC536- G- NP
			Q809	405 019 1909	TR 2SC536- E- NP
				405 019 2708	TR 2SC536- F- NP
				405 019 3804	TR 2SC536- G- NP
TRANSISTOR			Q810	405 014 4509	TR 2SC2412K T146 R
Q101	405 013 3305	TR 2SC2216(SAN)		405 015 8704	TR 2SC2812- L6- TB
Q122	406 000 6804	TR 2SA1015- GR(SAN)	INTEGRATED CIRCUIT		
	405 001 7407	TR 2SA1015- 0(SAN)	I C001	409 379 2903	I C TA8200AH
	405 001 7605	TR 2SA1015- Y(SAN)	I C101	409 380 8703	I C TDA8361/N5
	405 004 3109	TR 2SA564A- Q(CU)	I C270	409 291 0605	I C TDA4661/V2
	405 004 3208	TR 2SA564A- R(CU)		409 352 0803	I C TDA4665/V3
	405 004 4205	TR 2SA608- E- CTV- NP		409 371 7005	I C TDA4665/V4
	405 004 4809	TR 2SA608- F- CTV- NP	I C671	409 367 2809	I C BA178M09T
	405 006 1103	TR 2SA933- Q		409 370 0007	I C MC78M09CT
	405 006 1202	TR 2SA933- R		409 366 7904	I C UPC78M09AHF
	405 006 1707	TR 2SA933S- Q	I C672	409 241 5407	I C BA178M05T
	405 006 1806	TR 2SA933S- R		409 172 1509	I C MC78M05CT
Q132	405 002 0308	TR 2SA1037K T146 R		409 320 5700	I C UPC78M05AHF
	405 002 6706	TR 2SA1179- M6- TB	I C673	409 365 2801	I C BA178M08T
Q134	406 000 6804	TR 2SA1015- GR(SAN)		409 366 1704	I C MC78M08CT
	405 001 7407	TR 2SA1015- 0(SAN)		409 317 7205	I C UPC78M08AHF
	405 001 7605	TR 2SA1015- Y(SAN)	I C801	410 284 2506	I C M37207MF- 072SP
	405 004 3109	TR 2SA564A- Q(CU)	I C802	409 376 6201	I C ST24C04B6
	405 004 3208	TR 2SA564A- R(CU)		409 285 5401	I C 24C04A/P
	405 004 4205	TR 2SA608- E- CTV- NP		409 343 6302	I C 24LC04B/P
	405 004 4809	TR 2SA608- F- CTV- NP	CAPACITOR		
	405 006 1103	TR 2SA933- Q	C001	403 248 1400	ELECT 1U M 50V
	405 006 1202	TR 2SA933- R	C002	403 248 1400	ELECT 1U M 50V
	405 006 1707	TR 2SA933S- Q			
	405 006 1806	TR 2SA933S- R			
Q135	405 014 4509	TR 2SC2412K T146 R			
	405 015 8704	TR 2SC2812- L6- TB			

Ref. No.	Part No.	Description	Ref. No.	Part No.	Description
C003	403 233 0609	ELECT 47U M 25V	C262	401 037 5004	MF- GLAZE 0.000 ZA 1/10W
C004	403 063 0206	POLYESTER 6800P K 50V	C270	403 072 3403	CERAMI C 0.022U Z 50V
	403 179 0305	POLYESTER 6800P K 50V	C271	403 069 1702	CERAMI C 1000P K 50V
C005	403 063 0206	POLYESTER 6800P K 50V	C272	403 069 1702	CERAMI C 1000P K 50V
	403 179 0305	POLYESTER 6800P K 50V	C275	403 248 1905	ELECT 10U M 16V
C006	403 233 0609	ELECT 47U M 25V	C371	403 233 0302	ELECT 100U M 16V
C007	403 233 0609	ELECT 47U M 25V	C372	403 069 9500	CERAMI C 0.01U Z 50V
C008	403 166 8109	MT- POLYEST 0.22U J 63V	C373	403 072 5615	CERAMI C 2700P K 50V
	403 237 7901	MT- COMPO 0.22U J 50V	C374	403 073 9107	CERAMI C 4700P K 50V
C009	403 233 0609	ELECT 47U M 25V	C375	403 086 2300	NP- ELECT 1U M 50V
C010	403 053 8304	ELECT 3300U M 35V	C377	403 063 0206	POLYESTER 6800P K 50V
C011	403 166 8109	MT- POLYEST 0.22U J 63V		403 179 0305	POLYESTER 6800P K 50V
	403 237 7901	MT- COMPO 0.22U J 50V	C671	403 194 4609	ELECT 470U M 16V
C012	403 209 7205	ELECT 2200U M 25V	C672	403 208 6308	ELECT 220U M 16V
C013	403 209 7205	ELECT 2200U M 25V	C673	403 208 6308	ELECT 220U M 16V
C015	403 166 8109	MT- POLYEST 0.22U J 63V	C801	403 248 1608	ELECT 47U M 16V
	403 237 7901	MT- COMPO 0.22U J 50V	C802	403 069 9500	CERAMI C 0.01U Z 50V
C016	403 166 8109	MT- POLYEST 0.22U J 63V	C803	403 248 2001	ELECT 4.7U M 25V
	403 237 7901	MT- COMPO 0.22U J 50V	C804	403 248 1400	ELECT 1U M 50V
C101	403 248 1608	ELECT 47U M 16V	C805	403 248 1400	ELECT 1U M 50V
C102	403 233 1606	ELECT 47U M 50V	C806	403 248 2001	ELECT 4.7U M 25V
C103	403 244 1206	ELECT 100U M 10V	C807	403 233 1507	ELECT 4.7U M 50V
C104	403 248 1905	ELECT 10U M 16V	C810	403 248 1905	ELECT 10U M 16V
C111	403 069 9500	CERAMI C 0.01U Z 50V	C811	403 068 0409	CERAMI C 0.1U Z 25V
C114	403 069 9500	CERAMI C 0.01U Z 50V		403 070 2606	CERAMI C 0.1U Z 50V
C115	403 069 9500	CERAMI C 0.01U Z 50V	C812	403 068 0409	CERAMI C 0.1U Z 25V
C116	403 069 9500	CERAMI C 0.01U Z 50V		403 070 2606	CERAMI C 0.1U Z 50V
C117	403 069 9500	CERAMI C 0.01U Z 50V	C815	403 028 4102	CERAMI C 56P J 50V
C118	403 069 9500	CERAMI C 0.01U Z 50V	C819	403 060 5402	POLYESTER 3300P J 50V
C119	403 010 8507	CERAMI C 12P J 50V		403 179 1906	POLYESTER 3300P J 50V
C120	403 018 0503	CERAMI C 22P J 50V	C820	403 069 8305	CERAMI C 0.01U Z 50V
C122	403 070 2606	CERAMI C 0.1U Z 50V			
C126	403 027 1201	CERAMI C 5P C 50V			
C127	403 069 4505	CERAMI C 1000P Z 50V	RESISTOR		
C128	403 248 2803	ELECT 2.2U M 50V	R001	401 037 9200	MF- GLAZE 1.8K JA 1/10W
C129	403 028 4409	CERAMI C 56P J 50V	R002	401 038 3702	MF- GLAZE 33K JA 1/10W
C130	403 069 9500	CERAMI C 0.01U Z 50V	R003	401 037 9200	MF- GLAZE 1.8K JA 1/10W
C131	403 248 1608	ELECT 47U M 16V	R004	401 038 3702	MF- GLAZE 33K JA 1/10W
C132	403 068 0409	CERAMI C 0.1U Z 25V	R005	401 037 5004	MF- GLAZE 0.000 ZA 1/10W
	403 070 2606	CERAMI C 0.1U Z 50V	R006	401 037 5004	MF- GLAZE 0.000 ZA 1/10W
C135	403 070 2606	CERAMI C 0.1U Z 50V	R007	401 008 3701	CARBON 2.2 JA 1/2W
C136	403 194 4609	ELECT 470U M 16V	R008	401 008 3701	CARBON 2.2 JA 1/2W
C137	403 070 2606	CERAMI C 0.1U Z 50V	R009	401 024 7004	CARBON 1K JA 1/6W
C140	403 069 9500	CERAMI C 0.01U Z 50V	R012	401 010 7605	CARBON 560 JA 1/2W
C147	403 028 4102	CERAMI C 56P J 50V	R013	401 010 7605	CARBON 560 JA 1/2W
C201	403 270 3908	MT- POLYEST 0.47U K 63V	R014	402 071 0000	WIRE WOUND 5W
	403 256 0808	MT- COMPO 0.47U J 50V		402 075 1508	WIRE WOUND 1 KA 5W
C203	403 068 0409	CERAMI C 0.1U Z 25V	R102	401 037 5004	MF- GLAZE 0.000 ZA 1/10W
	403 070 2606	CERAMI C 0.1U Z 50V	R103	401 024 6700	CARBON 100 JA 1/6W
C204	403 068 0409	CERAMI C 0.1U Z 25V	R104	401 038 7700	MF- GLAZE 5.6K JA 1/10W
	403 070 2606	CERAMI C 0.1U Z 50V	R105	401 037 5400	MF- GLAZE 1K JA 1/10W
C205	403 068 0409	CERAMI C 0.1U Z 25V	R106	401 025 7409	CARBON 220 JA 1/6W
	403 070 2606	CERAMI C 0.1U Z 50V	R107	401 026 0409	CARBON 27 JA 1/6W
C206	403 068 0409	CERAMI C 0.1U Z 25V	R112	401 025 7409	CARBON 220 JA 1/6W
	403 070 2606	CERAMI C 0.1U Z 50V	R113	401 025 7409	CARBON 220 JA 1/6W
C207	403 068 0409	CERAMI C 0.1U Z 25V	R123	401 038 0909	MF- GLAZE 220K JA 1/10W
	403 070 2606	CERAMI C 0.1U Z 50V	R124	401 038 9209	MF- GLAZE 6.8K JA 1/10W
C208	403 233 0807	ELECT 10U M 50V	R126	401 038 7700	MF- GLAZE 5.6K JA 1/10W
C209	403 070 2606	CERAMI C 0.1U Z 50V	R127	401 037 5202	MF- GLAZE 100 JA 1/10W
C210	403 068 0409	CERAMI C 0.1U Z 25V	R129	401 038 6505	MF- GLAZE 47K JA 1/10W
	403 070 2606	CERAMI C 0.1U Z 50V	R131	401 038 9209	MF- GLAZE 6.8K JA 1/10W
C211	403 073 9107	CERAMI C 4700P K 50V	R132	401 038 6505	MF- GLAZE 47K JA 1/10W
C212	403 057 3107	POLYESTER 0.1U K 50V	R133	401 037 9101	MF- GLAZE 180 JA 1/10W
	403 181 8207	POLYESTER 0.1U K 50V	R134	401 024 7004	CARBON 1K JA 1/6W
C214	403 014 3409	CERAMI C 18P J 50V	R137	401 027 5205	CARBON 680 JA 1/6W
C215	403 014 3409	CERAMI C 18P J 50V	R139	401 025 3807	CARBON 180 JA 1/6W
C216	403 201 5001	ELECT 330U M 16V	R140	401 024 7004	CARBON 1K JA 1/6W
C218	403 024 2102	CERAMI C 39P J 50V	R141	401 037 5400	MF- GLAZE 1K JA 1/10W
C221	403 068 0409	CERAMI C 0.1U Z 25V	R142	401 038 9001	MF- GLAZE 680 JA 1/10W
	403 070 2606	CERAMI C 0.1U Z 50V	R144	401 027 8305	CARBON 820 JA 1/6W
C242	403 069 9500	CERAMI C 0.01U Z 50V	R145	401 027 5007	CARBON 68 JA 1/6W
C260	403 069 9500	CERAMI C 0.01U Z 50V	R151	401 038 5003	MF- GLAZE 390 JA 1/10W
			R152	401 037 5400	MF- GLAZE 1K JA 1/10W

Ref. No.	Part No.	Decription	Ref. No.	Part No.	Decription
R1801	401 037 5608	MT- GLAZE 10K JA 1/10W	R377	401 038 5300	MT- GLAZE 39K JA 1/10W
R1802	401 037 5202	MT- GLAZE 100 JA 1/10W	R378	401 038 5300	MT- GLAZE 39K JA 1/10W
R1810	401 037 5608	MT- GLAZE 10K JA 1/10W	R379	401 024 7707	CARBON 100K JA 1/6W
R1811	401 037 5608	MT- GLAZE 10K JA 1/10W	R380	401 024 8001	CARBON 1M JA 1/6W
R1814	401 027 0309	CARBON 47K JA 1/6W	R381	401 024 6700	CARBON 100 JA 1/6W
R1815	401 027 0309	CARBON 47K JA 1/6W	R382	401 038 6505	MT- GLAZE 47K JA 1/10W
R1816	401 024 7400	CARBON 10K JA 1/6W	R445	401 037 5608	MT- GLAZE 10K JA 1/10W
R1821	401 024 6700	CARBON 100 JA 1/6W	R674	401 067 4206	OXI DE- MT 33 JA 2W
R1822	401 025 8208	CARBON 22K JA 1/6W	R675	401 066 9103	OXI DE- MT 27 JA 2W
R1823	401 026 9907	CARBON 4. 7K JA 1/6W	R677	401 067 8204	OXI DE- MT 39 JA 2W
R1824	401 024 6700	CARBON 100 JA 1/6W	R683	401 008 1608	CARBON 1. 8K JA 1/2W
R1826	401 037 5004	MT- GLAZE 0. 000 ZA 1/10W	R800	401 038 2200	MT- GLAZE 27K JA 1/10W
R1827	401 024 6700	CARBON 100 JA 1/6W	R801	401 037 5608	MT- GLAZE 10K JA 1/10W
R1828	401 024 6700	CARBON 100 JA 1/6W	R802	401 027 2600	CARBON 5. 6K JA 1/6W
R1829	401 037 5608	MT- GLAZE 10K JA 1/10W	R803	401 024 6700	CARBON 100 JA 1/6W
R1831	401 037 5202	MT- GLAZE 100 JA 1/10W	R804	401 037 5608	MT- GLAZE 10K JA 1/10W
R1832	401 038 7700	MT- GLAZE 5. 6K JA 1/10W	R805	401 037 5608	MT- GLAZE 10K JA 1/10W
R1835	401 038 6505	MT- GLAZE 47K JA 1/10W	R806	401 024 6700	CARBON 100 JA 1/6W
R1836	401 037 5202	MT- GLAZE 100 JA 1/10W	R807	401 037 5004	MT- GLAZE 0. 000 ZA 1/10W
R202	401 037 5004	MT- GLAZE 0. 000 ZA 1/10W	R808	401 027 0309	CARBON 47K JA 1/6W
R203	401 037 7800	MT- GLAZE 150 JA 1/10W	R809	401 024 6700	CARBON 100 JA 1/6W
R204	401 038 2200	MT- GLAZE 27K JA 1/10W	R810	401 024 6700	CARBON 100 JA 1/6W
R206	401 026 4308	CARBON 3. 3K JA 1/6W	R812	401 024 7004	CARBON 1K JA 1/6W
R207	401 037 5202	MT- GLAZE 100 JA 1/10W	R813	401 038 9209	MT- GLAZE 6. 8K JA 1/10W
R208	401 037 5202	MT- GLAZE 100 JA 1/10W	R814	401 038 0800	MT- GLAZE 22K JA 1/10W
R209	401 037 5202	MT- GLAZE 100 JA 1/10W	R815	401 038 5300	MT- GLAZE 39K JA 1/10W
R210	401 024 7004	CARBON 1K JA 1/6W	R817	401 024 9305	CARBON 1. 2K JA 1/6W
R211	401 037 5400	MT- GLAZE 1K JA 1/10W	R818	401 037 8005	MT- GLAZE 15K JA 1/10W
R212	401 037 5400	MT- GLAZE 1K JA 1/10W	R819	401 038 3712	MT- GLAZE 33K JA 1/10W
R213	401 037 5202	MT- GLAZE 100 JA 1/10W	R821	401 024 7004	CARBON 1K JA 1/6W
R214	401 037 5202	MT- GLAZE 100 JA 1/10W	R822	401 037 5608	MT- GLAZE 10K JA 1/10W
R215	401 037 5202	MT- GLAZE 100 JA 1/10W	R823	401 038 3702	MT- GLAZE 33K JA 1/10W
R217	401 024 7024	CARBON 1K JA 1/6W	R826	401 025 7805	CARBON 2. 2K JA 1/6W
R221	401 037 5707	MT- GLAZE 100K JA 1/10W	R827	401 038 5102	MT- GLAZE 3. 9K JA 1/10W
R222	401 039 0403	MT- GLAZE 8. 2K JA 1/10W	R828	401 038 3603	MT- GLAZE 3. 3K JA 1/10W
R223	401 037 8005	MT- GLAZE 15K JA 1/10W	R830	401 027 5225	CARBON 680 JA 1/6W
R224	401 038 6406	MT- GLAZE 4. 7K JA 1/10W	R831	401 038 7710	MT- GLAZE 5. 6K JA 1/10W
R225	401 039 0403	MT- GLAZE 8. 2K JA 1/10W	R832	401 037 7919	MT- GLAZE 1. 5K JA 1/10W
R226	401 037 8005	MT- GLAZE 15K JA 1/10W	R833	401 037 7800	MT- GLAZE 150 JA 1/10W
R227	401 038 6406	MT- GLAZE 4. 7K JA 1/10W	R834	401 038 5102	MT- GLAZE 3. 9K JA 1/10W
R228	401 037 5608	MT- GLAZE 10K JA 1/10W	R835	401 037 7800	MT- GLAZE 150 JA 1/10W
R229	401 027 6608	CARBON 75 JA 1/6W	R836	401 038 5102	MT- GLAZE 3. 9K JA 1/10W
R230	401 027 6608	CARBON 75 JA 1/6W	R837	401 037 5202	MT- GLAZE 100 JA 1/10W
R231	401 027 6608	CARBON 75 JA 1/6W	R838	401 037 5202	MT- GLAZE 100 JA 1/10W
R232	401 037 9200	MT- GLAZE 1. 8K JA 1/10W	R839	401 024 6700	CARBON 100 JA 1/6W
R237	401 024 7400	CARBON 10K JA 1/6W	R840	401 024 6700	CARBON 100 JA 1/6W
R238	401 037 5608	MT- GLAZE 10K JA 1/10W	R841	401 038 0800	MT- GLAZE 22K JA 1/10W
R240	401 024 7004	CARBON 1K JA 1/6W	R842	401 038 9308	MT- GLAZE 68K JA 1/10W
R241	401 026 6609	CARBON 390 JA 1/6W	R843	401 027 2600	CARBON 5. 6K JA 1/6W
R242	401 024 7400	CARBON 10K JA 1/6W	R844	401 037 5202	MT- GLAZE 100 JA 1/10W
R243	401 024 7004	CARBON 1K JA 1/6W	R846	401 037 5202	MT- GLAZE 100 JA 1/10W
R244	401 026 4308	CARBON 3. 3K JA 1/6W	R847	401 037 5202	MT- GLAZE 100 JA 1/10W
R245	401 039 0304	MT- GLAZE 820 JA 1/10W	R848	401 037 5608	MT- GLAZE 10K JA 1/10W
R246	401 037 5400	MT- GLAZE 1K JA 1/10W	R849	401 037 5202	MT- GLAZE 100 JA 1/10W
R247	401 037 5608	MT- GLAZE 10K JA 1/10W	R850	401 037 5608	MT- GLAZE 10K JA 1/10W
R248	401 024 7004	CARBON 1K JA 1/6W	R851	401 037 5202	MT- GLAZE 100 JA 1/10W
R261	401 038 2200	MT- GLAZE 27K JA 1/10W	R852	401 037 8104	MT- GLAZE 150K JA 1/10W
R263	401 037 5608	MT- GLAZE 10K JA 1/10W	R853	401 038 9308	MT- GLAZE 68K JA 1/10W
R265	401 037 7800	MT- GLAZE 150 JA 1/10W	R855	401 037 5608	MT- GLAZE 10K JA 1/10W
R272	401 037 5004	MT- GLAZE 0. 000 ZA 1/10W	R856	401 038 9209	MT- GLAZE 6. 8K JA 1/10W
R275	401 024 6700	CARBON 100 JA 1/6W	R857	401 038 6406	MT- GLAZE 4. 7K JA 1/10W
R278	401 037 5400	MT- GLAZE 1K JA 1/10W	R858	401 039 0403	MT- GLAZE 8. 2K JA 1/10W
R279	401 037 5400	MT- GLAZE 1K JA 1/10W	R859	401 038 3504	MT- GLAZE 330 JA 1/10W
R280	401 024 6700	CARBON 100 JA 1/6W	R860	401 025 8208	CARBON 22K JA 1/6W
R283	401 037 5004	MT- GLAZE 0. 000 ZA 1/10W	R861	401 038 5102	MT- GLAZE 3. 9K JA 1/10W
R371	401 038 6406	MT- GLAZE 4. 7K JA 1/10W	R862	401 025 8208	CARBON 22K JA 1/6W
R372	401 024 6700	CARBON 100 JA 1/6W	R863	401 025 4200	CARBON 1. 8K JA 1/6W
R373	401 025 8208	CARBON 22K JA 1/6W	R864	401 038 6307	MT- GLAZE 470 JA 1/10W
R373A	401 024 9305	CARBON 1. 2K JA 1/6W	R866	401 025 8208	CARBON 22K JA 1/6W
R374	401 025 8208	CARBON 22K JA 1/6W	R868	401 037 5400	MT- GLAZE 1K JA 1/10W
R375	401 038 5409	MT- GLAZE 390K JA 1/10W	R869	401 037 5400	MT- GLAZE 1K JA 1/10W
R376	401 024 6700	CARBON 100 JA 1/6W	R870	401 037 5400	MT- GLAZE 1K JA 1/10W

Ref. No.	Part No.	Description	Ref. No.	Part No.	Description
R871	401 024 7707	CARBON 100K JA 1/6W		407 012 4406	DIODE 1SS133
R891	401 037 8005	MT- GLAZE 15K JA 1/10W		407 012 5809	DIODE 1SS176
R892	401 037 8005	MT- GLAZE 15K JA 1/10W	D221	401 037 5004	MT- GLAZE 0.000 ZA 1/10W
R893	401 037 8005	MT- GLAZE 15K JA 1/10W	D235	407 007 9904	DIODE GMA01
R894	401 026 9907	CARBON 4.7K JA 1/6W		407 012 4406	DIODE 1SS133
R895	401 038 5300	MT- GLAZE 39K JA 1/10W		407 012 5809	DIODE 1SS176
R896	401 039 0403	MT- GLAZE 8.2K JA 1/10W	D241	407 004 8009	DIODE DSB015- TB
R897	401 026 9907	CARBON 4.7K JA 1/6W	D275	407 053 6407	ZENER DIODE MTZ5.1C
R898	401 038 3702	MT- GLAZE 33K JA 1/10W		407 056 8200	ZENER DIODE RD5.1EB3
R899	401 037 5202	MT- GLAZE 100 JA 1/10W		407 163 8209	ZENER DIODE UZ- 5.1BCC
VARIABLE RESISTOR			D371	407 063 8309	ZENER DIODE MTZJ11C
VR120	645 006 5422	VR, SEMI, 10K N		407 158 3400	ZENER DIODE UZ- 11BSC
	645 011 6988	VR, SEMI, 10K N	D683	407 004 8009	DIODE DSB015- TB
VR371	645 006 5422	VR, SEMI, 10K N	D684	407 004 8009	DIODE DSB015- TB
	645 011 6988	VR, SEMI, 10K N	D685	407 007 9904	DIODE GMA01
TRANSFORMER				407 012 4406	DIODE 1SS133
T121	610 037 4522	S COIL		407 012 5809	DIODE 1SS176
COIL			D686	407 004 8009	DIODE DSB015- TB
L101	645 008 2863	INDUCTOR, 4.7U K	D688	407 007 9904	DIODE GMA01
L121	645 001 4567	INDUCTOR, 10U K		407 012 4406	DIODE 1SS133
L126	645 008 2924	INDUCTOR, 8.2U K		407 012 5809	DIODE 1SS176
L136	645 003 9782	INDUCTOR, 22U K	D801	407 071 5109	ZENER DIODE DZD3.6Z- TA
L201	645 003 9799	INDUCTOR, 3.3U K		407 175 3100	ZD 02CZ3.6Z(TE85R)
L202	645 003 9799	INDUCTOR, 3.3U K	D802	407 007 9904	DIODE GMA01
L203	645 003 9799	INDUCTOR, 3.3U K		407 012 4406	DIODE 1SS133
L233	645 008 2863	INDUCTOR, 4.7U K		407 012 5809	DIODE 1SS176
L801	645 008 0203	INDUCTOR, 5.6U K	D803	407 004 8009	DIODE DSB015- TB
L804	645 001 4697	INDUCTOR, 1.5U M	D804	407 004 8009	DIODE DSB015- TB
DIODE			D805	407 004 8009	DIODE DSB015- TB
D001	407 004 8009	DIODE DSB015- TB	D806	407 063 8309	ZENER DIODE MTZJ11C
D002	407 004 8009	DIODE DSB015- TB		407 158 3400	ZENER DIODE UZ- 11BSC
D061	407 004 8009	DIODE DSB015- TB	D807	407 004 8009	DIODE DSB015- TB
D062	407 004 8009	DIODE DSB015- TB	MISCELLANEOUS		
D063	407 004 8009	DIODE DSB015- TB	A101	645 009 0523	TUNER, U/V
D121	401 037 5004	MT- GLAZE 0.000 ZA 1/10W	TP- A	645 008 4058	TERMI NAL, PLUG
D135	407 063 8309	ZENER DIODE MTZJ11C	TP- D	645 008 4058	TERMI NAL, PLUG
	407 158 3400	ZENER DIODE UZ- 11BSC	TP- E	645 008 4058	TERMI NAL, PLUG
D201	407 007 9904	DIODE GMA01	TP- G	645 008 4058	TERMI NAL, PLUG
	407 012 4406	DIODE 1SS133	TP- H	645 008 4058	TERMI NAL, PLUG
	407 012 5809	DIODE 1SS176	SW220	610 011 2728	SWI TCH, LEVER 1P- 3T
D202	407 007 9904	DIODE GMA01	X101	421 002 2609	SAW F TSF5315
	407 012 4406	DIODE 1SS133	X126	645 000 4490	TRAP, CERAMI C 6.5MHZ
	407 012 5809	DIODE 1SS176		610 015 3011	TRAP, CERAMI C 6.5MHZ
D203	407 007 9904	DIODE GMA01	X127	610 015 3547	CERAMI C TRAP
	407 012 4406	DIODE 1SS133		610 015 2854	TRAP, CERAMI C 5.5MHZ
	407 012 5809	DIODE 1SS176	X201	645 000 2502	OSC, CRYSTAL 4.433619MHZ
D204	407 007 9904	DIODE GMA01		645 018 9050	OSC, CRYSTAL 4.433619MHZ
	407 012 4406	DIODE 1SS133		645 025 2631	OSC, CRYSTAL 4.433619MHZ
	407 012 5809	DIODE 1SS176		610 239 3347	CRYSTAL OSCILLATOR
D205	407 007 9904	DIODE GMA01	X202	645 000 2496	OSC, CRYSTAL 3.579545MHZ
	407 012 4406	DIODE 1SS133		610 240 5408	CRYSTAL OSCILLATOR
	407 012 5809	DIODE 1SS176	X801	645 000 6692	OSC, CERAMI C 8.00MHZ
D206	407 007 9904	DIODE GMA01	Y07	645 008 4058	TERMI NAL PLUG
	407 012 4406	DIODE 1SS133	Y08	645 008 4058	TERMI NAL PLUG
	407 012 5809	DIODE 1SS176	Y12	645 008 4058	TERMI NAL PLUG
D207	407 007 9904	DIODE GMA01	-----		
	407 012 4406	DIODE 1SS133	-		
	407 012 5809	DIODE 1SS176	610 266 4300 ASSY,PWB,SIF F2HV		
D208	407 007 9904	DIODE GMA01	1AA0B10E3690A		
	407 012 4406	DIODE 1SS133	TRANSISTOR		
	407 012 5809	DIODE 1SS176	Q3802	405 109 4407	TR BC848- B
D209	407 007 9904	DIODE GMA01		405 015 8704	TR 2SC2812- L6- TB
	407 012 4406	DIODE 1SS133	INTEGRATED CIRCUIT		
	407 012 5809	DIODE 1SS176	IC3801	409 290 4307	IC TDA2545A/V4
D210	407 007 9904	DIODE GMA01	IC3811	409 376 6300	IC TDA9821/V1
	407 012 4406	DIODE 1SS133	CAPACITOR		
	407 012 5809	DIODE 1SS176			
D211	407 004 8009	DIODE DSB015- TB			
D212	407 007 9904	DIODE GMA01			

Ref. No.	Part No.	Decription	Ref. No.	Part No.	Decription
C3801	403 069 9500	CERAMI C 0. 01U Z 50V	C3411	403 069 5601	CERAMI C 0. 01U K 50V
C3804	403 073 9107	CERAMI C 4700P K 50V	C3412	403 069 5601	CERAMI C 0. 01U K 50V
C3805	403 166 8000	MT- POLYEST 0. 33U J 63V	C3413	401 037 5004	MT- GLAZE 0. 000 ZA 1/10W
	403 260 2904	MT- COMPO 0. 33U J 50V	C3414	403 248 2803	ELECT 2. 2U M 50V
C3806	403 028 4102	CERAMI C 56P J 50V	C3421	403 069 9500	CERAMI C 0. 01U Z 50V
C3807	403 248 1905	ELECT 10U M 16V	C3422	403 248 1905	ELECT 10U M 16V
C3808	403 069 9500	CERAMI C 0. 01U Z 50V	C3431	403 248 1905	ELECT 10U M 16V
C3811	403 248 1905	ELECT 10U M 16V	C3432	403 233 0302	ELECT 100U M 16V
C3812	403 069 9500	CERAMI C 0. 01U Z 50V	C3433	403 248 1905	ELECT 10U M 16V
C3813	403 248 2803	ELECT 2. 2U M 50V	C3434	403 068 0409	CERAMI C 0. 1U Z 25V
C3814	403 248 2803	ELECT 2. 2U M 50V		403 070 2606	CERAMI C 0. 1U Z 50V
C3815	403 248 2803	ELECT 2. 2U M 50V	C3435	403 073 1200	CERAMI C 0. 033U K 50V
			C3436	403 074 7607	CERAMI C 5600P K 50V
RESISTOR			C3437	403 074 7607	CERAMI C 5600P K 50V
R3801	401 037 5004	MT- GLAZE 0. 000 ZA 1/10W	C3438	403 073 1200	CERAMI C 0. 033U K 50V
R3803	401 037 5004	MT- GLAZE 0. 000 ZA 1/10W	C3439	401 037 5004	MT- GLAZE 0. 000 ZA 1/10W
R3805	401 037 5004	MT- GLAZE 0. 000 ZA 1/10W	C3441	401 037 5004	MT- GLAZE 0. 000 ZA 1/10W
R3807	401 039 0304	MT- GLAZE 820 JA 1/10W	C3442	401 037 5004	MT- GLAZE 0. 000 ZA 1/10W
R3808	401 038 7601	MT- GLAZE 560 JA 1/10W	C3443	401 037 5004	MT- GLAZE 0. 000 ZA 1/10W
R3811	401 038 7601	MT- GLAZE 560 JA 1/10W	C3451	403 074 6600	CERAMI C 560P K 50V
R3814	401 038 7601	MT- GLAZE 560 JA 1/10W	C3452	403 069 9500	CERAMI C 0. 01U Z 50V
R3815	401 038 2200	MT- GLAZE 27K JA 1/10W	C3453	403 069 9500	CERAMI C 0. 01U Z 50V
R3845	401 037 5004	MT- GLAZE 0. 000 ZA 1/10W	C3454	403 069 9500	CERAMI C 0. 01U Z 50V
R3846	401 037 5004	MT- GLAZE 0. 000 ZA 1/10W	C3458	403 073 3501	CERAMI C 390P K 50V
			C3461	403 069 9500	CERAMI C 0. 01U Z 50V
TRANSFORMER			C3462	403 248 1905	ELECT 10U M 16V
T3801	610 037 4522	S COIL	C3463	403 008 7406	CERAMI C 10P D 50V
			C3464	403 248 1905	ELECT 10U M 16V
MISCELLANEOUS			C3465	403 018 7403	CERAMI C 220P J 50V
K38H1	610 012 4561	TERMI NAL 4P	C3466	403 069 9500	CERAMI C 0. 01U Z 50V
K38H2	610 012 4561	TERMI NAL 4P	C3467	403 248 1905	ELECT 10U M 16V
X3801	421 006 2902	SAW F OFWG9251M	C3468	403 069 9500	CERAMI C 0. 01U Z 50V
X3811	645 003 2806	CERAMI C FILTER	C3469	403 248 1400	ELECT 1U M 50V
X3814	645 006 3022	CERAMI C FILTER 5. 742MHZ	C3471	403 069 9500	CERAMI C 0. 01U Z 50V
			C3472	403 248 1905	ELECT 10U M 16V
			C3473	403 072 1607	CERAMI C 0. 022U K 50V
			C3474	403 192 5905	CERAMI C 0. 1U K 25V
ASSY,PWB,NICAM F2KV				403 070 0909	CERAMI C 0. 1U K 50V
1AA0B10H032EA				403 026 2803	CERAMI C 47P J 50V
				403 026 2803	CERAMI C 47P J 50V
TRANSISTOR				403 069 9500	CERAMI C 0. 01U Z 50V
Q3431	405 014 4509	TR 2SC2412K T146 R	C3477	403 069 9500	CERAMI C 0. 01U Z 50V
	405 015 8704	TR 2SC2812- L6- TB	C3478	403 257 0807	ELECT 0. 47U M 50V
Q3432	405 014 4509	TR 2SC2412K T146 R	C3480	403 192 5905	CERAMI C 0. 1U K 25V
	405 015 8704	TR 2SC2812- L6- TB		403 070 0909	CERAMI C 0. 1U K 50V
Q3451	405 014 4509	TR 2SC2412K T146 R	C3481	403 069 9500	CERAMI C 0. 01U Z 50V
	405 015 8704	TR 2SC2812- L6- TB	C3482	403 248 1608	ELECT 47U M 16V
Q3481	405 014 4509	TR 2SC2412K T146 R	C3483	403 069 9500	CERAMI C 0. 01U Z 50V
	405 015 8704	TR 2SC2812- L6- TB	C3484	403 248 1608	ELECT 47U M 16V
Q3482	405 014 4509	TR 2SC2412K T146 R	C3485	403 179 4501	NP- ELECT 0. 47U M 50V
	405 015 8704	TR 2SC2812- L6- TB	C3486	403 179 4501	NP- ELECT 0. 47U M 50V
Q3483	405 014 4509	TR 2SC2412K T146 R	C3487	403 069 9500	CERAMI C 0. 01U Z 50V
	405 015 8704	TR 2SC2812- L6- TB	C3488	403 248 1608	ELECT 47U M 16V
Q3484	405 014 4509	TR 2SC2412K T146 R	C3490	403 009 5708	CERAMI C 100P J 50V
	405 015 8704	TR 2SC2812- L6- TB	C3491	403 130 3604	CERAMI C 0. 047U K 25V
				403 130 3109	CERAMI C 0. 047U K 50V
				403 248 1905	ELECT 10U M 16V
INTEGRATED CIRCUIT				403 069 9500	CERAMI C 0. 01U Z 50V
IC3401	409 371 6206	IC TDA9840/V2	C3493	403 069 9500	CERAMI C 0. 01U Z 50V
IC3431	409 316 4601	IC TDA8424	C3494	403 248 1608	ELECT 47U M 16V
IC3451	409 404 3707	IC SAA7283ZP/M2	C3495	403 248 1905	ELECT 10U M 16V
			RESISTOR		
CAPACITOR			R3401	401 037 5202	MT- GLAZE 100 JA 1/10W
C3401	403 248 1905	ELECT 10U M 16V	R3402	401 037 5202	MT- GLAZE 100 JA 1/10W
C3402	403 069 5601	CERAMI C 0. 01U K 50V	R3403	401 038 3108	MT- GLAZE 30K JA 1/10W
C3403	403 068 0409	CERAMI C 0. 1U Z 25V	R3410	401 037 5004	MT- GLAZE 0. 000 ZA 1/10W
	403 070 2606	CERAMI C 0. 1U Z 50V	R3431	401 037 5202	MT- GLAZE 100 JA 1/10W
C3404	403 310 5008	CERAMI C 3300P G 25V	R3432	401 037 5202	MT- GLAZE 100 JA 1/10W
C3405	403 233 0302	ELECT 100U M 16V	R3433	401 037 5202	MT- GLAZE 100 JA 1/10W
C3406	403 069 9500	CERAMI C 0. 01U Z 50V	R3434	401 037 7909	MT- GLAZE 1. 5K JA 1/10W
C3407	403 026 2803	CERAMI C 47P J 50V	R3435	401 037 5202	MT- GLAZE 100 JA 1/10W
C3408	403 248 2803	ELECT 2. 2U M 50V	R3436	401 037 7909	MT- GLAZE 1. 5K JA 1/10W
C3409	403 248 2803	ELECT 2. 2U M 50V	R3451	401 038 2002	MT- GLAZE 270 JA 1/10W

Ref. No.	Part No.	Description	Ref. No.	Part No.	Description
R3452	401 038 3504	MT- GLAZE 330 JA 1/10W	IC1303	410 260 8300	IC M34225M1- 548SP
R3453	401 037 5608	MT- GLAZE 10K JA 1/10W	IC1304	409 203 2901	IC SN74LS123M- R
R3454	401 038 3405	MT- GLAZE 33 JA 1/10W	CAPACITOR		
R3455	401 037 9200	MT- GLAZE 1. 8K JA 1/10W	C1301	403 166 1506	NP- ELECT 47U M 16V
R3461	401 037 5400	MT- GLAZE 1K JA 1/10W	C1302	403 069 1702	CERAMI C 1000P K 50V
R3462	401 037 5202	MT- GLAZE 100 JA 1/10W	C1303	403 023 4404	CERAMI C 330P J 50V
R3463	401 037 5608	MT- GLAZE 10K JA 1/10W	C1305	403 028 4102	CERAMI C 56P J 50V
R3464	401 038 6505	MT- GLAZE 47K JA 1/10W	C1306	403 200 0700	MF- POLYEST 0. 1U J 50V
R3465	401 037 5806	MT- GLAZE 1M JA 1/10W		403 237 8007	MT- COMPO 0. 1U J 50V
R3466	401 037 5608	MT- GLAZE 10K JA 1/10W	C1316	403 069 9500	CERAMI C 0. 01U Z 50V
R3467	401 038 9407	MT- GLAZE 680K JA 1/10W	C1317	403 069 9500	CERAMI C 0. 01U Z 50V
R3468	401 037 9200	MT- GLAZE 1. 8K JA 1/10W	C1318	403 244 1206	ELECT 100U M 10V
R3469	401 038 3702	MT- GLAZE 33K JA 1/10W	C1319	403 069 9500	CERAMI C 0. 01U Z 50V
R3471	401 037 5202	MT- GLAZE 100 JA 1/10W	C1321	403 013 3004	CERAMI C 150P J 50V
R3472	401 037 5202	MT- GLAZE 100 JA 1/10W	C1322	403 105 9501	CERAMI C 1000P J 50V
R3473	401 038 3603	MT- GLAZE 3. 3K JA 1/10W	C1323	403 105 9501	CERAMI C 1000P J 50V
R3474	401 038 7700	MT- GLAZE 5. 6K JA 1/10W	C1324	403 248 1608	ELECT 47U M 16V
R3475	401 038 7700	MT- GLAZE 5. 6K JA 1/10W	C1325	403 069 9500	CERAMI C 0. 01U Z 50V
R3476	401 038 3603	MT- GLAZE 3. 3K JA 1/10W	C1326	403 014 9203	CERAMI C 180P J 50V
R3477	401 038 0701	MT- GLAZE 2. 2K JA 1/10W	C1331	403 233 1507	ELECT 4. 7U M 50V
R3479	401 038 0701	MT- GLAZE 2. 2K JA 1/10W	C1332	403 069 9500	CERAMI C 0. 01U Z 50V
R3481	401 038 0701	MT- GLAZE 2. 2K JA 1/10W	C1333	403 060 8403	POLYESTER 0. 033U K 50V
R3482	401 038 0701	MT- GLAZE 2. 2K JA 1/10W		403 179 1609	POLYESTER 0. 033U K 50V
TRANSFORMER			C1334	403 069 9500	CERAMI C 0. 01U Z 50V
T3401	645 015 7943	COIL, FERRI TE 2. 5M	C1335	403 233 1507	ELECT 4. 7U M 50V
COIL			C1341	403 168 8800	MF- POLYEST 0. 22U J 50V
L3155	645 001 4567	INDUCTOR, 10U K		403 237 7901	MT- COMPO 0. 22U J 50V
L3452	645 008 2221	INDUCTOR, 2. 2U K	C2510	403 200 0700	MF- POLYEST 0. 1U J 50V
L3453	645 008 2009	INDUCTOR, 10U K		403 237 8007	MT- COMPO 0. 1U J 50V
L3454	645 008 2221	INDUCTOR, 2. 2U K	C2511	403 248 1400	ELECT 1U M 50V
L3455	645 008 2221	INDUCTOR, 2. 2U K	C2512	403 244 1206	ELECT 100U M 10V
L3461	645 008 1996	INDUCTOR, 10U J	C2513	403 069 9500	CERAMI C 0. 01U Z 50V
DIODE			RESISTOR		
D1251	407 048 8300	ZENER DIODE EQA02- 15A	R1301	401 037 5608	MF- GLAZE 10K JA 1/10W
	407 063 8002	ZENER DIODE M7Z16A	R1302	401 038 2200	MT- GLAZE 27K JA 1/10W
D3401	407 004 8009	DIODE DSB015- TB	R1303	401 037 5400	MT- GLAZE 1K JA 1/10W
D3402	407 004 8009	DIODE DSB015- TB	R1304	401 037 6605	MT- GLAZE 120 JA 1/10W
D3461	407 169 7909	VARACTOR DI BBY31	R1305	401 038 5003	MT- GLAZE 390 JA 1/10W
D3462	407 004 8009	DIODE DSB015- TB	R1306	401 038 0909	MF- GLAZE 220K JA 1/10W
MISCELLANEOUS			R1307	401 038 0800	MT- GLAZE 22K JA 1/10W
K34A	645 008 3334	PLUG, 9P	R1309	401 037 5202	MT- GLAZE 100 JA 1/10W
K34B	645 008 3358	PLUG, 11P	R1310	401 038 7502	MT- GLAZE 56 JA 1/10W
X3401	645 016 6662	OSC, CRYSTAL 10MHZ	R1311	401 092 3106	MT- GLAZE 33K FA 1/10W
X3461	645 007 7449	OSC, CRYSTAL 8. 192MHZ	R1312	401 037 5806	MT- GLAZE 1M JA 1/10W

610 266 4324 ASSY,PWB,SUB VIDEO F2HV					
1AA0B10E3690C					
TRANSISTOR					
Q1301	405 015 8704	TR 2SC2812- L6- TB	R1313	401 037 5608	MT- GLAZE 10K JA 1/10W
Q1302	405 015 8704	TR 2SC2812- L6- TB	R1314	401 037 5608	MT- GLAZE 10K JA 1/10W
Q1304	405 015 8704	TR 2SC2812- L6- TB	R1315	401 037 7800	MT- GLAZE 150 JA 1/10W
Q1305	405 015 8704	TR 2SC2812- L6- TB	R1316	401 037 6803	MT- GLAZE 12K JA 1/10W
Q1306	405 015 8704	TR 2SC2812- L6- TB	R1317	401 037 7909	MT- GLAZE 1. 5K JA 1/10W
Q1309	405 015 8704	TR 2SC2812- L6- TB	R1318	401 038 6406	MT- GLAZE 4. 7K JA 1/10W
Q1311	405 015 8704	TR 2SC2812- L6- TB	R1321	401 037 5400	MT- GLAZE 1K JA 1/10W
Q1313	405 015 8704	TR 2SC2812- L6- TB	R1322	401 038 7601	MT- GLAZE 560 JA 1/10W
Q2502	405 015 8704	TR 2SC2812- L6- TB	R1323	401 037 5608	MT- GLAZE 10K JA 1/10W
Q2503	405 015 8704	TR 2SC2812- L6- TB	R1325	401 037 5400	MT- GLAZE 1K JA 1/10W
Q2506	405 015 8704	TR 2SC2812- L6- TB	R1326	401 038 6406	MT- GLAZE 4. 7K JA 1/10W
Q2531	405 015 8704	TR 2SC2812- L6- TB	R1327	401 038 0800	MT- GLAZE 22K JA 1/10W
INTEGRATED CIRCUIT			R1328	401 038 0800	MT- GLAZE 22K JA 1/10W
IC1301	409 018 3902	IC LA6393D	R1329	401 037 5400	MT- GLAZE 1K JA 1/10W
IC1302	409 301 2803	IC MN1381- Q	R1330	401 038 9001	MT- GLAZE 680 JA 1/10W
			R1332	401 038 0800	MT- GLAZE 22K JA 1/10W
			R1333	401 037 5608	MT- GLAZE 10K JA 1/10W
			R1334	401 038 2200	MT- GLAZE 27K JA 1/10W
			R1335	401 037 5608	MT- GLAZE 10K JA 1/10W
			R1336	401 037 5608	MT- GLAZE 10K JA 1/10W
			R1338	401 037 5608	MT- GLAZE 10K JA 1/10W
			R1339	401 037 5202	MT- GLAZE 100 JA 1/10W
			R1340	401 037 6803	MT- GLAZE 12K JA 1/10W
			R1341	401 038 2101	MT- GLAZE 2. 7K JA 1/10W
			R1342	401 038 2101	MT- GLAZE 2. 7K JA 1/10W
			R1343	401 038 2101	MT- GLAZE 2. 7K JA 1/10W

Ref. No.	Part No.	Description	Ref. No.	Part No.	Description
R1344	401 037 6308	MT- GLAZE 110K JA 1/10W	C1007	403 009 5708	CERAMI C 100P J 50V
R1346	401 038 1005	MT- GLAZE 2. 2M JA 1/10W	C1008	403 041 9405	ELECT 10U M 16V
R1347	401 037 5608	MT- GLAZE 10K JA 1/10W	C1009	403 041 9405	ELECT 10U M 16V
R1348	401 037 5400	MT- GLAZE 1K JA 1/10W	C1011	403 013 3004	CERAMI C 150P J 50V
R1349	401 037 8104	MT- GLAZE 150K JA 1/10W	C1014	403 014 9203	CERAMI C 180P J 50V
R2510	401 038 3801	MT- GLAZE 330K JA 1/10W	C1020	403 014 9203	CERAMI C 180P J 50V
R2512	401 037 5608	MT- GLAZE 10K JA 1/10W	C1021	403 069 1702	CERAMI C 1000P K 50V
R2514	401 037 6803	MT- GLAZE 12K JA 1/10W	C1022	403 041 9405	ELECT 10U M 16V
R2515	401 038 3603	MT- GLAZE 3. 3K JA 1/10W	C1023	403 009 5708	CERAMI C 100P J 50V
R2516	401 037 5608	MT- GLAZE 10K JA 1/10W	C1024	403 041 9405	ELECT 10U M 16V
R2517	401 037 5400	MT- GLAZE 1K JA 1/10W	C1025	403 069 1702	CERAMI C 1000P K 50V
R2518	401 037 5400	MT- GLAZE 1K JA 1/10W	C1026	403 041 9405	ELECT 10U M 16V
R2525	401 037 5400	MT- GLAZE 1K JA 1/10W	C1027	403 009 5708	CERAMI C 100P J 50V
R2526	401 037 5400	MT- GLAZE 1K JA 1/10W	C1028	403 041 9405	ELECT 10U M 16V
R2527	401 038 3702	MT- GLAZE 33K JA 1/10W	C1029	403 041 9405	ELECT 10U M 16V
R2531	401 038 0602	MT- GLAZE 220 JA 1/10W	C1031	403 041 9405	ELECT 10U M 16V
R2532	401 038 7601	MT- GLAZE 560 JA 1/10W	C1032	403 041 9405	ELECT 10U M 16V
R2533	401 038 7601	MT- GLAZE 560 JA 1/10W	C1033	403 041 9405	ELECT 10U M 16V
VARIABLE RESISTOR			C1034	403 041 9405	ELECT 10U M 16V
VR1301	610 235 8797	VR, SEMI , 50K S	C1036	403 069 9500	CERAMI C 0. 01U Z 50V
VR1302	610 234 7272	VR, SEMI , 20K S	C1037	403 069 9500	CERAMI C 0. 01U Z 50V
COIL			C1200	403 200 0700	MF- POLYEST 0. 1U J 50V
L1301	645 008 2405	INDUCTOR, 330U J		403 237 8007	MT- COMPO 0. 1U J 50V
L1305	645 008 2023	INDUCTOR, 100U K	C1201	403 069 9500	CERAMI C 0. 01U Z 50V
DIODE			C1204	403 042 8308	ELECT 22U M 16V
D2513	407 004 8009	DIODE DSB015- TB	C1205	403 043 9601	ELECT 47U M 16V
D2514	407 004 8009	DIODE DSB015- TB	C1206	403 069 9500	CERAMI C 0. 01U Z 50V
MISCELLANEOUS			C1207	403 043 9601	ELECT 47U M 16V
TP1310	645 008 4058	TERMINAL, PLUG	C1208	403 042 8308	ELECT 22U M 16V
TP1311	645 008 4058	TERMINAL, PLUG	C1212	403 047 0604	ELECT 4. 7U M 25V
K20H	645 005 8370	PLUG, 12P	C1213	403 043 9601	ELECT 47U M 16V
K20J	645 005 8370	PLUG, 12P	C1214	403 043 9601	ELECT 47U M 16V
X1301	645 006 1752	OSC, CERAMI C 4. 000MHZ	C1215	403 014 9203	CERAMI C 180P J 50V
			C1218	403 043 9601	ELECT 47U M 16V
			C1219	403 041 9405	ELECT 10U M 16V
			C1251	403 168 8800	MT- POLYEST 0. 22U J 50V
				403 237 7901	MT- COMPO 0. 22U J 50V
			C1252	403 041 9405	ELECT 10U M 16V
			C1253	403 260 3208	MT- COMPO 0. 082U J 50V
			C1254	403 063 5904	POLYESTER 8200P K 50V
				403 178 9903	POLYESTER 8200P K 50V
			C1255	403 063 5904	POLYESTER 8200P K 50V
				403 178 9903	POLYESTER 8200P K 50V
			C1256	403 041 9405	ELECT 10U M 16V
			C1257	403 041 9405	ELECT 10U M 16V
			C1258	403 168 8800	MT- POLYEST 0. 22U J 50V
				403 237 7901	MT- COMPO 0. 22U J 50V
			C1259	403 260 3208	MT- COMPO 0. 082U J 50V
			C1260	403 043 9601	ELECT 47U M 16V
			C1261	403 043 9601	ELECT 47U M 16V
			C1262	403 041 9405	ELECT 10U M 16V
			C3501	403 047 0604	ELECT 4. 7U M 25V
			C3502	403 047 0604	ELECT 4. 7U M 25V
			C3503	403 047 0604	ELECT 4. 7U M 25V
			C3504	403 047 0604	ELECT 4. 7U M 25V
			C3505	403 056 9704	POLYESTER 0. 01U J 50V
				403 178 9309	POLYESTER 0. 01U J 50V
			C3506	403 105 9501	CERAMI C 1000P J 50V
			C3507	403 166 6808	MT- POLYEST 0. 1U J 63V
				403 237 8007	MT- COMPO 0. 1U J 50V
			C3508	403 155 9902	NP- ELECT 2. 2U M 50V
			C3509	403 043 9601	ELECT 47U M 16V
			C3511	403 056 9704	POLYESTER 0. 01U J 50V
				403 178 9309	POLYESTER 0. 01U J 50V
			C3512	403 105 9501	CERAMI C 1000P J 50V
			C3513	403 166 6808	MT- POLYEST 0. 1U J 63V
				403 237 8007	MT- COMPO 0. 1U J 50V
			C3514	403 056 9704	POLYESTER 0. 01U J 50V
				403 178 9309	POLYESTER 0. 01U J 50V
			C3516	403 056 9704	POLYESTER 0. 01U J 50V
				403 178 9309	POLYESTER 0. 01U J 50V
			C3517	403 056 9704	POLYESTER 0. 01U J 50V
				403 056 9704	POLYESTER 0. 01U J 50V

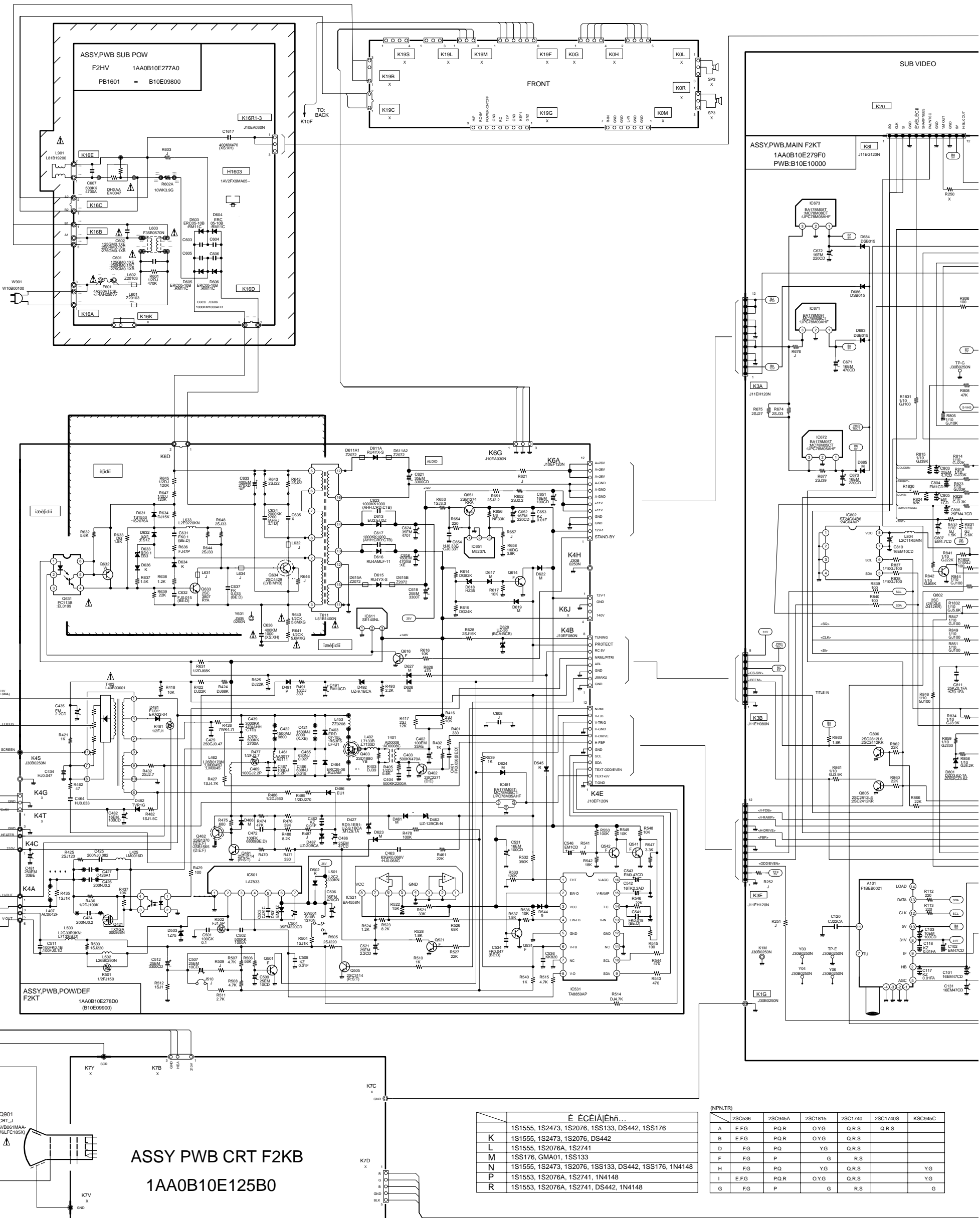
Ref. No.	Part No.	Description	Ref. No.	Part No.	Description
C3518	403 178 9309	POLYESTER	R1245	401 038 6406	MT- GLAZE 4. 7K JA 1/10W
	403 056 9704	POLYESTER	R1246	401 038 7700	MT- GLAZE 5. 6K JA 1/10W
	403 178 9309	POLYESTER	R1251	401 038 6505	MT- GLAZE 47K JA 1/10W
C3520	403 043 9601	ELECT	R1252	401 038 6505	MT- GLAZE 47K JA 1/10W
C3521	403 043 9601	ELECT	R1253	401 037 8005	MT- GLAZE 15K JA 1/10W
C3522	403 070 2606	CERAMI C	R1254	401 037 8005	MT- GLAZE 15K JA 1/10W
RESISTOR			R1255	401 038 7809	MT- GLAZE 56K JA 1/10W
R1001	401 038 7601	MT- GLAZE	R1256	401 038 9209	MT- GLAZE 6. 8K JA 1/10W
R1002	401 038 0701	MT- GLAZE	R1257	401 038 7809	MT- GLAZE 56K JA 1/10W
R1003	401 038 7601	MT- GLAZE	R1258	401 038 9209	MT- GLAZE 6. 8K JA 1/10W
R1004	401 038 0701	MT- GLAZE	R1259	401 037 5400	MT- GLAZE 1K JA 1/10W
R1006	401 038 5300	MT- GLAZE	R1260	401 037 5400	MT- GLAZE 1K JA 1/10W
R1007	401 038 0800	MT- GLAZE	R1261	401 037 5400	MT- GLAZE 1K JA 1/10W
R1010	401 027 6608	CARBON	R1262	401 037 5400	MT- GLAZE 1K JA 1/10W
R1011	401 037 5202	MT- GLAZE	R1263	401 037 5400	MT- GLAZE 1K JA 1/10W
R1012	401 027 6608	CARBON	R1264	401 037 5400	MT- GLAZE 1K JA 1/10W
R1013	401 025 1308	CARBON	R1265	401 038 0602	MT- GLAZE 220 JA 1/10W
R1014	401 027 6608	CARBON	R1266	401 038 0602	MT- GLAZE 220 JA 1/10W
R1015	401 038 6406	MT- GLAZE	R1293	401 038 9209	MT- GLAZE 6. 8K JA 1/10W
R1016	401 019 1000	CARBON	R1294	401 038 9209	MT- GLAZE 6. 8K JA 1/10W
R1017	401 037 5608	MT- GLAZE	R3501	401 037 5400	MT- GLAZE 1K JA 1/10W
R1020	401 038 3504	MT- GLAZE	R3502	401 038 0701	MT- GLAZE 2. 2K JA 1/10W
R1021	401 038 7601	MT- GLAZE	R3503	401 037 5400	MT- GLAZE 1K JA 1/10W
R1022	401 038 0701	MT- GLAZE	R3504	401 038 0701	MT- GLAZE 2. 2K JA 1/10W
R1023	401 038 7601	MT- GLAZE	R3506	401 038 5300	MT- GLAZE 39K JA 1/10W
R1024	401 038 0701	MT- GLAZE	R3507	401 037 5608	MT- GLAZE 10K JA 1/10W
R1025	401 038 3603	MT- GLAZE	R3508	401 180 0406	MT- GLAZE 7. 5K FA 1/10W
R1026	401 038 0800	MT- GLAZE	R3516	401 037 5004	MT- GLAZE 0. 000 ZA 1/10W
R1027	401 027 6608	CARBON	R3517	401 037 5004	MT- GLAZE 0. 000 ZA 1/10W
R1028	401 027 6608	CARBON	R3518	401 038 5102	MT- GLAZE 3. 9K JA 1/10W
R1029	401 025 1308	CARBON	R3519	401 037 5400	MT- GLAZE 1K JA 1/10W
R1030	401 037 5004	MT- GLAZE	COIL		
R1031	401 037 5004	MT- GLAZE	L1002	645 002 1787	CORE, PIPE
R1032	401 037 5004	MT- GLAZE	L1003	645 001 4567	INDUCTOR, 10U K
R1033	401 038 7700	MT- GLAZE	L1004	645 001 4567	INDUCTOR, 10U K
R1034	401 037 5400	MT- GLAZE	L1005	645 001 4567	INDUCTOR, 10U K
R1035	401 038 7601	MT- GLAZE	L1006	645 001 4567	INDUCTOR, 10U K
R1036	401 038 0909	MT- GLAZE	L1011	645 008 2863	INDUCTOR, 4. 7U K
R1037	401 039 0403	MT- GLAZE	L1022	645 002 1787	CORE, PIPE
R1038	401 038 7700	MT- GLAZE	L1023	645 001 4567	INDUCTOR, 10U K
R1039	401 037 5400	MT- GLAZE	L1024	645 001 4567	INDUCTOR, 10U K
R1040	401 038 7601	MT- GLAZE	L1025	645 001 4567	INDUCTOR, 10U K
R1041	401 038 0909	MT- GLAZE	L1026	645 001 4567	INDUCTOR, 10U K
R1042	401 039 0403	MT- GLAZE	L1028	645 008 2863	INDUCTOR, 4. 7U K
R1201	401 037 5004	MT- GLAZE	L1211	645 008 2863	INDUCTOR, 4. 7U K
R1202	401 038 3603	MT- GLAZE	DIODE		
R1203	401 037 5608	MT- GLAZE	D1002	407 075 9905	ZENER DIODE EQA03- 11A
R1205	401 038 0701	MT- GLAZE		407 063 8309	ZENER DIODE MTZJ11C
R1206	401 038 0701	MT- GLAZE	D1004	407 075 9905	ZENER DIODE EQA03- 11A
R1207	401 038 6307	MT- GLAZE		407 063 8309	ZENER DIODE MTZJ11C
R1208	401 038 0701	MT- GLAZE	D1005	407 075 9905	ZENER DIODE EQA03- 11A
R1209	401 038 6307	MT- GLAZE		407 063 8309	ZENER DIODE MTZJ11C
R1220	401 038 0602	MT- GLAZE	D1007	407 075 9905	ZENER DIODE EQA03- 11A
R1225	401 037 5400	MT- GLAZE		407 063 8309	ZENER DIODE MTZJ11C
R1226	401 037 5400	MT- GLAZE	D1008	407 075 9905	ZENER DIODE EQA03- 11A
R1227	401 037 5202	MT- GLAZE		407 063 8309	ZENER DIODE MTZJ11C
R1228	401 037 5202	MT- GLAZE	D1010	407 075 9905	ZENER DIODE EQA03- 11A
R1229	401 037 5202	MT- GLAZE		407 063 8309	ZENER DIODE MTZJ11C
R1230	401 038 7601	MT- GLAZE	D1011	407 075 9905	ZENER DIODE EQA03- 11A
R1231	401 038 0602	MT- GLAZE		407 063 8309	ZENER DIODE MTZJ11C
R1232	401 038 0602	MT- GLAZE	D1012	407 075 9905	ZENER DIODE EQA03- 11A
R1233	401 038 7601	MT- GLAZE		407 063 8309	ZENER DIODE MTZJ11C
R1234	401 038 0602	MT- GLAZE	D1024	407 075 9905	ZENER DIODE EQA03- 11A
R1235	401 038 0602	MT- GLAZE		407 063 8309	ZENER DIODE MTZJ11C
R1236	401 038 0602	MT- GLAZE	D1026	407 075 9905	ZENER DIODE EQA03- 11A
R1237	401 037 5400	MT- GLAZE		407 063 8309	ZENER DIODE MTZJ11C
R1238	401 037 5004	MT- GLAZE	D1027	407 075 9905	ZENER DIODE EQA03- 11A
R1239	401 037 9200	MT- GLAZE		407 063 8309	ZENER DIODE MTZJ11C
R1240	401 022 0809	CARBON	D1031	407 004 8009	DIODE DSB015- TB
R1241	401 037 5608	MT- GLAZE	D1032	407 004 8009	DIODE DSB015- TB
R1242	401 037 7800	MT- GLAZE			

Ref. No.	Part No.	Decription	Ref. No.	Part No.	Decription
D1203	407 070 9207	ZENER DIODE DZD10X- TA	RESISTOR		
	407 161 8102	ZENER DIODE UZM10X- T2	R2901	401 038 2200	MF- GLAZE 27K JA 1/10W
D1204	407 070 9207	ZENER DIODE DZD10X- TA	R2902	401 038 7809	MF- GLAZE 56K JA 1/10W
	407 161 8102	ZENER DIODE UZM10X- T2	R2903	401 038 3603	MF- GLAZE 3. 3K JA 1/10W
D1205	407 070 9207	ZENER DIODE DZD10X- TA	R2904	401 037 5202	MF- GLAZE 100 JA 1/10W
	407 161 8102	ZENER DIODE UZM10X- T2	R2905	401 037 5202	MF- GLAZE 100 JA 1/10W
D1206	407 075 9905	ZENER DIODE EQA03- 11A	R2906	401 037 5202	MF- GLAZE 100 JA 1/10W
	407 063 8309	ZENER DIODE MTZJ11C	R2907	401 038 7700	MF- GLAZE 5. 6K JA 1/10W
D1232	407 012 4406	DIODE 1SS133	R2908	401 038 9209	MF- GLAZE 6. 8K JA 1/10W
	407 013 1206	DIODE 1S1555	R2909	401 037 5400	MF- GLAZE 1K JA 1/10W
	407 013 4207	DIODE 1S2076	R2910	401 038 9308	MF- GLAZE 68K JA 1/10W
D3501	407 053 9903	ZENER DIODE RD10EB1	R2911	401 037 5608	MF- GLAZE 10K JA 1/10W
	407 163 9107	ZENER DIODE UZ- 10BCA	R2912	401 037 5608	MF- GLAZE 10K JA 1/10W
MISCELLANEOUS			R2913	401 037 5608	MF- GLAZE 10K JA 1/10W
K10A	645 008 3365	PLUG, 12P	R2914	401 038 6406	MF- GLAZE 4. 7K JA 1/10W
K10B	645 008 3341	PLUG, 10P	R2915	401 038 6406	MF- GLAZE 4. 7K JA 1/10W
K10C	645 008 3341	PLUG, 10P	R2916	401 037 5608	MF- GLAZE 10K JA 1/10W
K10D1	645 008 4058	TERMI NAL, PLUG	R2920	401 038 0602	MF- GLAZE 220 JA 1/10W
K10D2	645 008 4058	TERMI NAL, PLUG	R2921	401 038 0602	MF- GLAZE 220 JA 1/10W
K10D3	645 008 4058	TERMI NAL, PLUG	R2922	401 038 6307	MF- GLAZE 470 JA 1/10W
K10D4	645 008 4058	TERMI NAL, PLUG	R2924	401 038 6406	MF- GLAZE 4. 7K JA 1/10W
K10F	645 004 2720	PLUG, 6P	R2925	401 037 5608	MF- GLAZE 10K JA 1/10W
K10S	645 004 2690	PLUG, 3P	R2926	401 039 0403	MF- GLAZE 8. 2K JA 1/10W
K1001	645 018 9074	SOCKET, RGB 21P	R2927	401 037 7909	MF- GLAZE 1. 5K JA 1/10W
	610 217 6292	SOCKET 21P	COIL		
K1002	645 018 9074	SOCKET, RGB 21P	L2902	645 003 9799	I NDUCTOR, 3. 3U K
	610 217 6292	SOCKET 21P	DIODE		
-----			D2901	407 007 9904	DIODE GMA01
-				407 012 4406	DIODE 1SS133
				407 012 5809	DIODE 1SS176
610 266 4812 ASSY,PWB,TEXT F2HV			D2902	407 055 7907	ZENER DIODE RD3. 6EL
1AA0B10E37700			D2903	407 007 9904	DIODE GMA01
				407 012 4406	DIODE 1SS133
				407 012 5809	DIODE 1SS176
			D2904	407 007 9904	DIODE GMA01
				407 012 4406	DIODE 1SS133
				407 012 5809	DIODE 1SS176
			D2905	407 007 9904	DIODE GMA01
				407 012 4406	DIODE 1SS133
				407 012 5809	DIODE 1SS176
			MISCELLANEOUS		
			K29J	645 009 8185	SOCKET, PWB- PWB 11P
			X2901	610 249 6024	CRYSTAL OSCILLATOR

-					
610 266 4812 ASSY,PWB,TEXT F2HV					
1AA0B10E37700					
TRANSISTOR					
Q2901	405 015 8704	TR 2SC2812- L6- TB			
Q2902	405 015 8704	TR 2SC2812- L6- TB			
Q2903	405 015 8704	TR 2SC2812- L6- TB			
Q2907	405 015 8704	TR 2SC2812- L6- TB			
Q2908	405 015 8704	TR 2SC2812- L6- TB			
Q2909	405 015 8704	TR 2SC2812- L6- TB			
INTEGRATED CIRCUIT					
IC2901	409 345 1909	IC SAA5281P/E			
IC2902	410 283 8608	IC P83C654FBP/541			
CAPACITOR					
C2901	403 166 6808	MT- POLYEST 0. 1U J 63V			
	403 237 8007	MT- COMPO 0. 1U J 50V			
C2902	403 248 1608	ELECT 47U M 16V			
C2903	403 166 6808	MT- POLYEST 0. 1U J 63V			
	403 237 8007	MT- COMPO 0. 1U J 50V			
C2904	403 032 8608	CERAMI C 8P D 50V			
C2905	403 012 6808	CERAMI C 15P J 50V			
C2906	403 056 8103	POLYESTER 1000P K 50V			
	403 179 3900	POLYESTER 1000P K 50V			
C2907	403 166 6808	MT- POLYEST 0. 1U J 63V			
	403 237 8007	MT- COMPO 0. 1U J 50V			
C2908	403 166 6808	MT- POLYEST 0. 1U J 63V			
	403 237 8007	MT- COMPO 0. 1U J 50V			
C2909	403 166 6808	MT- POLYEST 0. 1U J 63V			
	403 237 8007	MT- COMPO 0. 1U J 50V			
C2910	403 248 1400	ELECT 1U M 50V			
C2911	403 071 2407	CERAMI C 1800P K 50V			
C2912	403 071 2407	CERAMI C 1800P K 50V			
C2913	403 071 2407	CERAMI C 1800P K 50V			
C2921	403 248 1608	ELECT 47U M 16V			
C2922	403 166 6808	MT- POLYEST 0. 1U J 63V			
	403 237 8007	MT- COMPO 0. 1U J 50V			
C2923	403 248 1400	ELECT 1U M 50V			

-					
For SERVICE REF. NO. CE32W1-00					
ASSY,PWB,NICAM F2KT					
1AA0B10H032AC					
TRANSISTOR					
Q3431	405 014 4509	TR 2SC2412K T146 R			
	405 015 8704	TR 2SC2812- L6- TB			
Q3432	405 014 4509	TR 2SC2412K T146 R			
	405 015 8704	TR 2SC2812- L6- TB			
Q3482	405 014 4509	TR 2SC2412K T146 R			
	405 015 8704	TR 2SC2812- L6- TB			
Q3484	405 014 4509	TR 2SC2412K T146 R			
	405 015 8704	TR 2SC2812- L6- TB			
INTEGRATED CIRCUIT					
IC3401	409 371 6206	IC TDA9840/V2			
IC3431	409 316 4601	IC TDA8424			
CAPACITOR					

Ref. No.	Part No.	Description	Ref. No.	Part No.	Description
C3401	403 248 1905	ELECT 10U M 16V			
C3402	403 069 5601	CERAMI C 0. 01U K 50V			
C3403	403 068 0409	CERAMI C 0. 1U Z 25V			
	403 070 2606	CERAMI C 0. 1U Z 50V			
C3404	403 310 5008	CERAMI C 3300P G 25V			
C3405	403 233 0302	ELECT 100U M 16V			
C3406	403 069 9500	CERAMI C 0. 01U Z 50V			
C3407	403 026 2803	CERAMI C 47P J 50V			
C3408	403 248 2803	ELECT 2. 2U M 50V			
C3409	403 248 2803	ELECT 2. 2U M 50V			
C3411	403 069 5601	CERAMI C 0. 01U K 50V			
C3412	403 069 5601	CERAMI C 0. 01U K 50V			
C3413	401 037 5004	MT- GLAZE 0. 000 ZA 1/10W			
C3414	403 248 2803	ELECT 2. 2U M 50V			
C3421	403 069 9500	CERAMI C 0. 01U Z 50V			
C3422	403 248 1905	ELECT 10U M 16V			
C3431	403 248 1905	ELECT 10U M 16V			
C3432	403 233 0302	ELECT 100U M 16V			
C3433	403 248 1905	ELECT 10U M 16V			
C3434	403 068 0409	CERAMI C 0. 1U Z 25V			
	403 070 2606	CERAMI C 0. 1U Z 50V			
C3435	403 073 1200	CERAMI C 0. 033U K 50V			
C3436	403 074 7607	CERAMI C 5600P K 50V			
C3437	403 074 7607	CERAMI C 5600P K 50V			
C3438	403 073 1200	CERAMI C 0. 033U K 50V			
C3439	401 037 5004	MT- GLAZE 0. 000 ZA 1/10W			
C3441	401 037 5004	MT- GLAZE 0. 000 ZA 1/10W			
C3442	401 037 5004	MT- GLAZE 0. 000 ZA 1/10W			
C3443	401 037 5004	MT- GLAZE 0. 000 ZA 1/10W			
C3495	403 248 1905	ELECT 10U M 16V			
RESISTOR					
R3401	401 037 5202	MT- GLAZE 100 JA 1/10W			
R3402	401 037 5202	MT- GLAZE 100 JA 1/10W			
R3403	401 038 3108	MT- GLAZE 30K JA 1/10W			
R3410	401 037 5004	MT- GLAZE 0. 000 ZA 1/10W			
R3431	401 037 5202	MT- GLAZE 100 JA 1/10W			
R3432	401 037 5202	MT- GLAZE 100 JA 1/10W			
R3433	401 037 5202	MT- GLAZE 100 JA 1/10W			
R3434	401 037 7909	MT- GLAZE 1. 5K JA 1/10W			
R3435	401 037 5202	MT- GLAZE 100 JA 1/10W			
R3436	401 037 7909	MT- GLAZE 1. 5K JA 1/10W			
R3477	401 038 0701	MT- GLAZE 2. 2K JA 1/10W			
R3479	401 038 0701	MT- GLAZE 2. 2K JA 1/10W			
R3481	401 038 0701	MT- GLAZE 2. 2K JA 1/10W			
R3482	401 038 0701	MT- GLAZE 2. 2K JA 1/10W			
TRANSFORMER					
T3401	645 015 7943	COIL, FERRITE 2. 5M			
COIL					
L3155	645 001 4567	INDUCTOR, 10U K			
DIODE					
D1251	407 048 8300	ZENER DIODE EQA02- 15A			
	407 063 8002	ZENER DIODE MTZ16A			
D3401	407 004 8009	DIODE DSB015- TB			
D3402	407 004 8009	DIODE DSB015- TB			
MISCELLANEOUS					
K34A	645 008 3334	PLUG, 9P			
K34B	645 008 3358	PLUG, 11P			
X3401	645 016 6662	OSC, CRYSTAL 10MHZ			
	407 013 4207	DIODE 1S2076			
D3501	407 053 9903	ZENER DIODE RD10EB1			
	407 163 9107	ZENER DIODE UZ- 10BCA			



Ε ΕΙΣΑΓΕ...
 1S1555, 1S2473, 1S2076, 1S133, DS442, 1S176
 K 1S1555, 1S2473, 1S2076, DS442
 L 1S1555, 1S2076A, 1S2741
 M 1S1555, 1S2076A, 1S2741, 1N4148
 N 1S1555, 1S2076A, 1S2741, 1N4148
 P 1S1553, 1S2076A, 1S2741, DS442, 1N4148
 R 1S1553, 1S2076A, 1S2741, DS442, 1N4148

(NPN,TR)

	2SC536	2SC945A	2SC1815	2SC1740	2SC1740S	KSC945C
A	E.F.G	P.Q.R	O.Y.G	Q.R.S	Q.R.S	
B	E.F.G	P.Q.R	O.Y.G	Q.R.S		
D	F.G	P.Q	Y.G	Q.R.S		
F	F.G	P	G	R.S		
H	F.G	P.Q	Y.G	Q.R.S		Y.G
I	E.F.G	P.Q.R	O.Y.G	Q.R.S		Y.G
G	F.G	P.Q.R	G	R.S		G

COLOUR TELEVISION

SANYO

CHASSIS SERIES **WB2B**

MODEL NUMBERS **CE32W1-C**
CE32WN1-C

SERVICE REF.NO. **CE32W1-C-00**
CE32WN1-C-00

The service Precaution:
 The area enclosed by this line () is directly connected with AC mains voltage. When servicing the area, connect an isolating transformer between TV receiver and AC line to eliminate hazard of electric shock.

Product safety notice:
 Product safety should be considered when a component replacement is made in any area of a receiver. Components indicated by a mark Δ in this circuit diagram show components whose values have special significance to product safety. It is particularly recommended that only parts specified on the part service manual be used for components replacement pointed out by the mark.

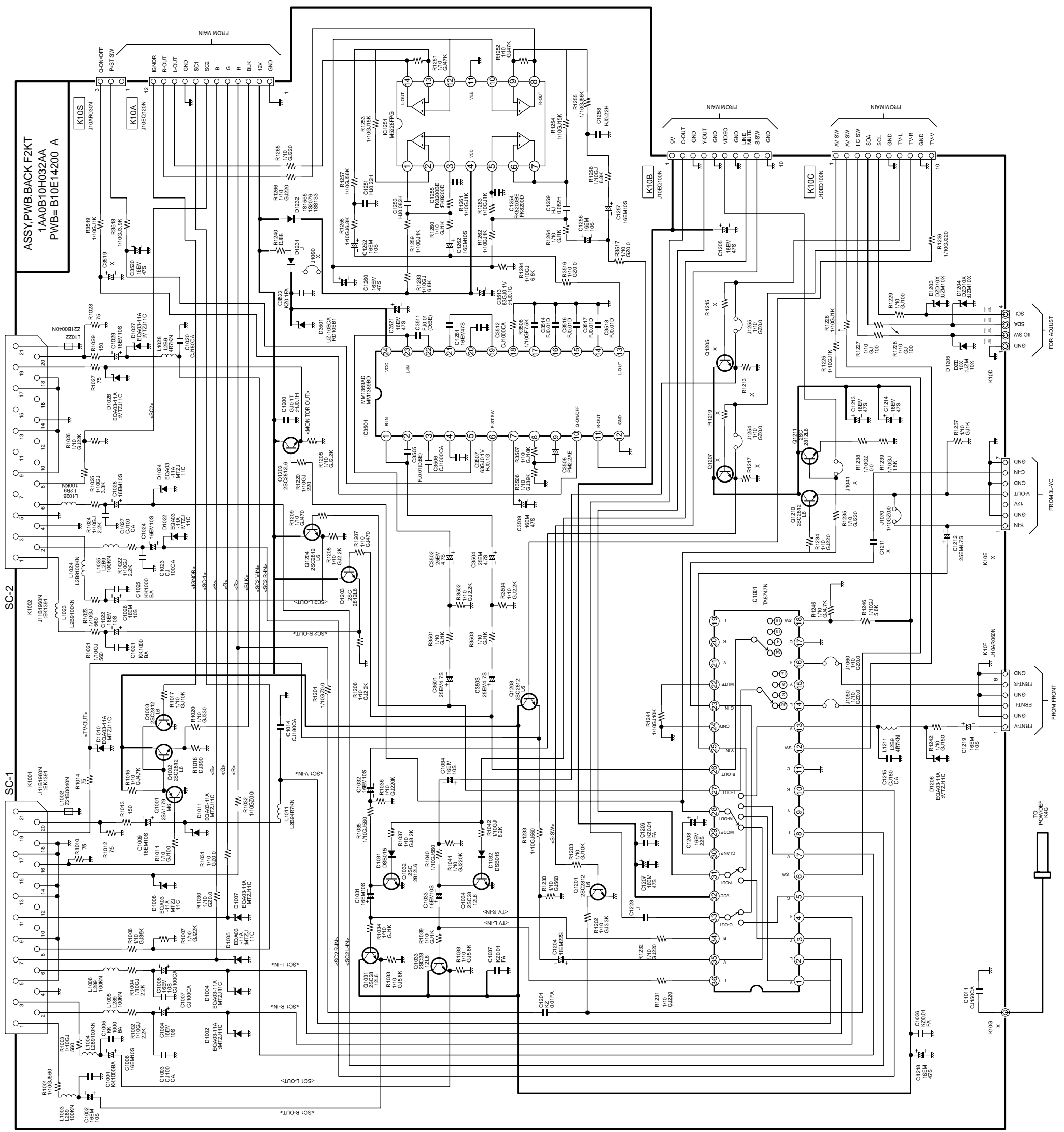
PRECAUZIONE DI SERVIZIO
 L'area inclusa in questa linea () è collegata direttamente con la tensione della rete CA quando si serve l'area collegare un trasformatore isolante tra il ricevitore TV e la linea CA per eliminare il pericolo di scossa elettrica.

NOTIZIE SULLA SICUREZZA DI FUNZIONAMENTO
 Ogni sostituzione di componenti va fatta tenendo conto della sicurezza di funzionamento. I componenti indicati solo schema con il simbolo Δ hanno particolare importanza per il sicuro funzionamento del TV. I suddetti componenti devono essere sostituiti esclusivamente con quelli indicati nell'elenco.

Note sul diagramma di circuito :
 1. Tutti i valori di resistenza sono in ohm, K=1,000, M=1,000,000.
 2. Tutte le resistenze nominali watt sono di 1/6 a meno che sia specificato altrimenti.
 3. Eccetto per i condensatori elettrolitici, tutti i valori di capacitanza di meno di sono espressi in μF, e di più di 1 sono in pF. I valori di capacitanza elettrolitici sono in μF.
 4. Tutti i volt di capacitanza nominali sono di 50V a meno che sia indicato altrimenti.
 5. Tutti i valori di induttanza sono in μH.
 6. I valori letti del voltaggio presi con un "VTVM" proven gono dal punto indicato sulla massa del chassis, i valori di voltaggio presi usando un segnale di barre colore sono con tutti i controlli alle loro posizioni normali ed il commutatore AFC in posizione "OFF". Il voltaggio puo variare con l'intensita del segnale.

7. Le forme di onda furono prese con il segnale di barre colore e i controlli regolati oppure le forme di onda di immagine normale furono prese usando un oscillatore a larga banda ed una sonda bassa capacita.
 8. Rispetto a quando indicato su questo schema possono essere state introdotte delle modifiche.
 9. Il diodo 1S1555 possono essere sostituiti con 1S2473, 1S2076 oppure DS472 a meno che sia specificato altrimenti.
 Il transistori possono essere sostituiti con 2SC536(Q,R,S), 2SC1740(Q,R,S), 2SC945A(Q,R,P) oppure 2SC1815(G,O,Y) a meno che sia specificato altrimenti.
 Il transistoro 2SA608(E,F) puo essere sostituito con 2SA933(Q,R), 2SA564(QA,RA), oppure 2SA1015(O,Y) a meno che sia specificato altrimenti.

Circuit diagram notes :
 1. All resistance values are in ohms, K=1,000, M=1,000,000.
 2. All resistance rated wattages are 1/6W unless otherwise noted.
 3. Excepting electrolytic capacitors, all capacitance values of less than 1 are expressed in μF and more than 1 are pF.
 4. All capacitance rated voltages are 50V unless otherwise noted.
 5. All inductance values are in μH.
 6. Voltage readings taken a digital voltmeter are from point indicated chassis ground. Voltage readings taken by using a colour bar signal are with all controls at normal position. Some voltages may vary with signal strength.
 7. Waveforms were taken with colour bar and controls adjusted for normal picture. Waveforms were taken by using a wide band oscilloscope and a low capacity probe.



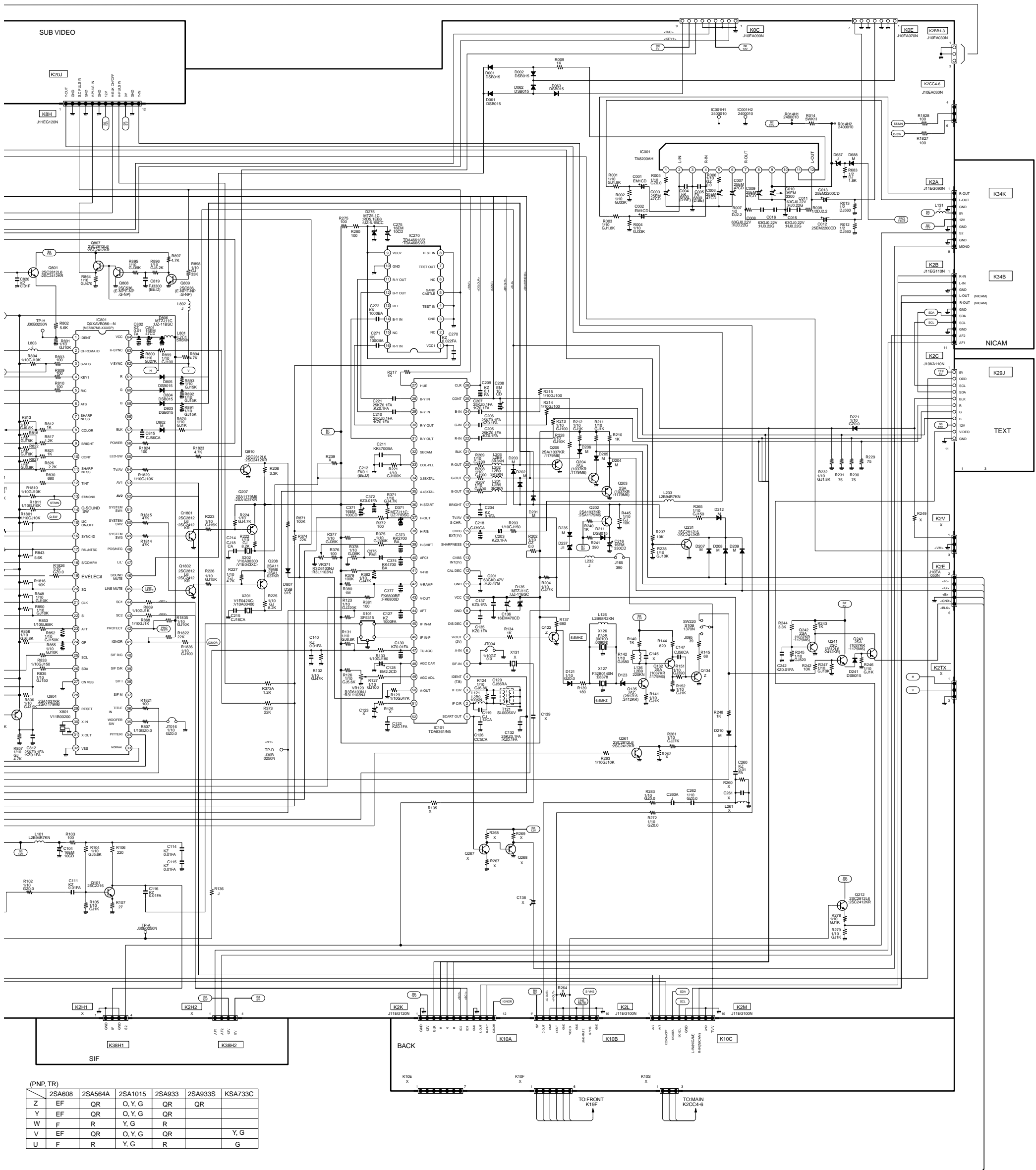
ASSY.PWB.BACK F2KT
1A00B10H032AA
PWB=B10E14200 A

SC-1

SC-2

SC-3

FROM MAIN
FROM 3L-VC
FROM FRONT
TO POW/DEF REG

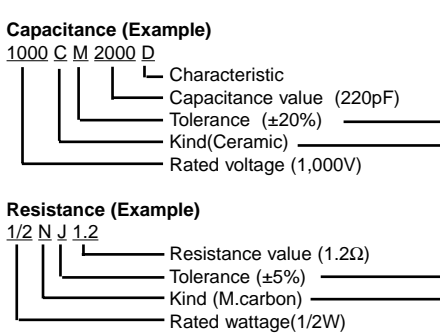


(PNP TR)

	2SA608	2SA564A	2SA1015	2SA933	2SA933S	KSA733C
Z	EF	QR	O, Y, G	QR	QR	
Y	EF	QR	O, Y, G	QR	QR	
W	F	R	Y, G	R		Y, G
V	EF	QR	O, Y, G	QR	QR	
U	F	R	Y, G	R		G

- This circuit diagram covers a basic or representative chassis only. There may be some components or partial circuit differences between the actual chassis and the circuit diagram.
- Diode 1S1555 may be replaced with 1S2473, 1S2076 or DS472 unless otherwise noted.
 - Transistor 2SC536(Q,R,S), 2SC1740(Q,R,S), 2SC945A(Q,R,P) or 2SC1815(G,O,Y) unless otherwise noted.
 - Transistor 2SA608(E,F) may be replaced with 2SA933(Q,R), 2SA564(QA,RA), or 2SA1015(O,Y) unless otherwise noted.

Expression of capacitance and resistance in circuit diagram.

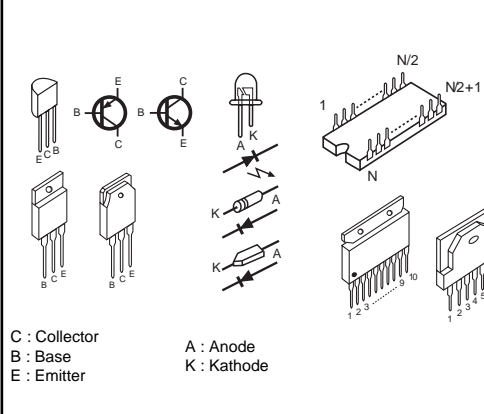


J = $\pm 5\%$
 K = $\pm 10\%$
 M = $\pm 20\%$

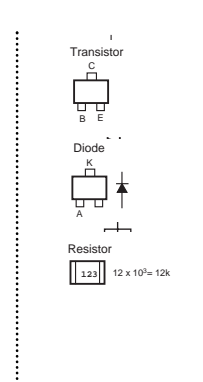
T, A, U, D : Electrolytic
 C, K, B : Ceramic
 F : Mylar film
 M, N : Polypropylene
 Z : Metallized paper

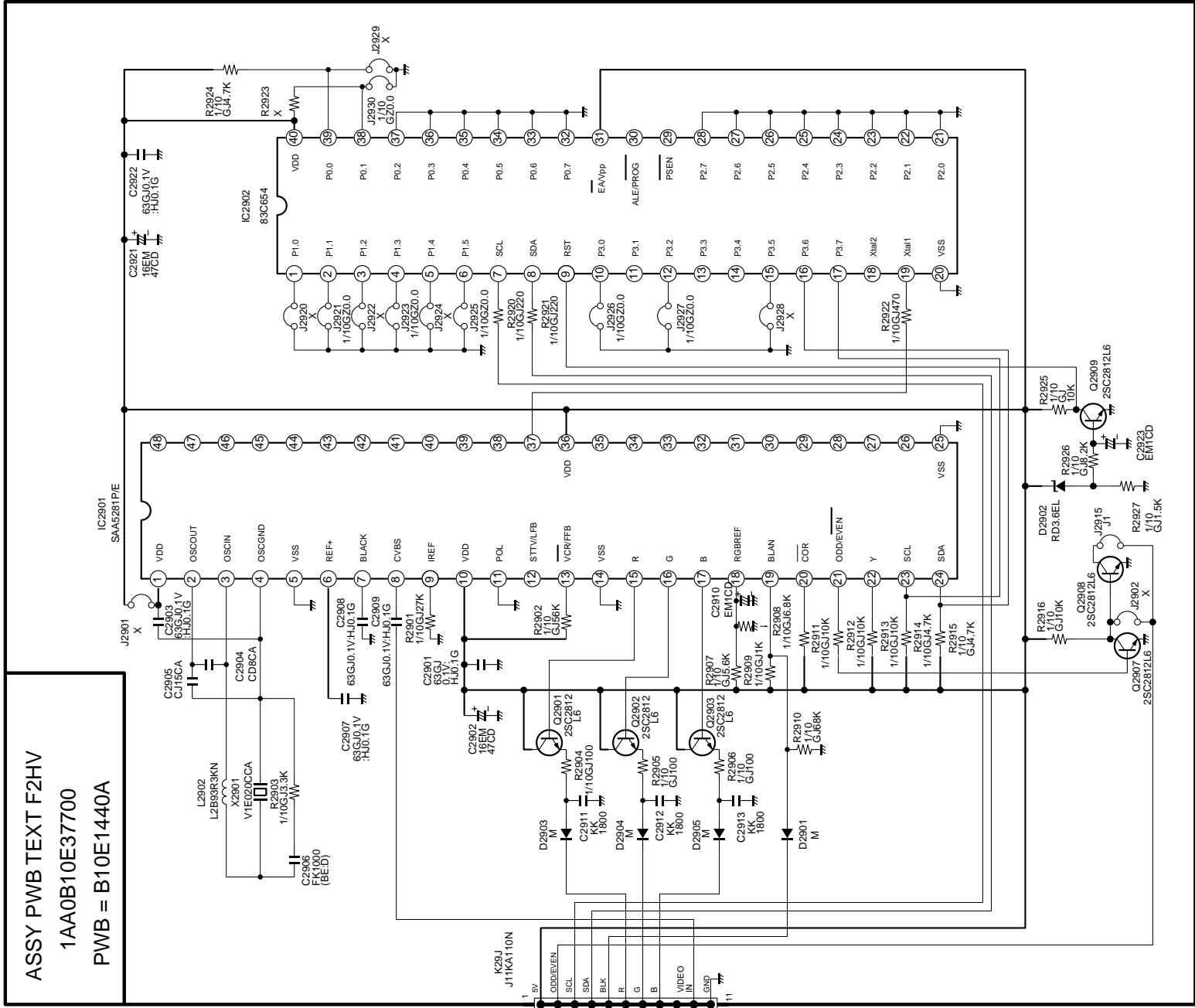
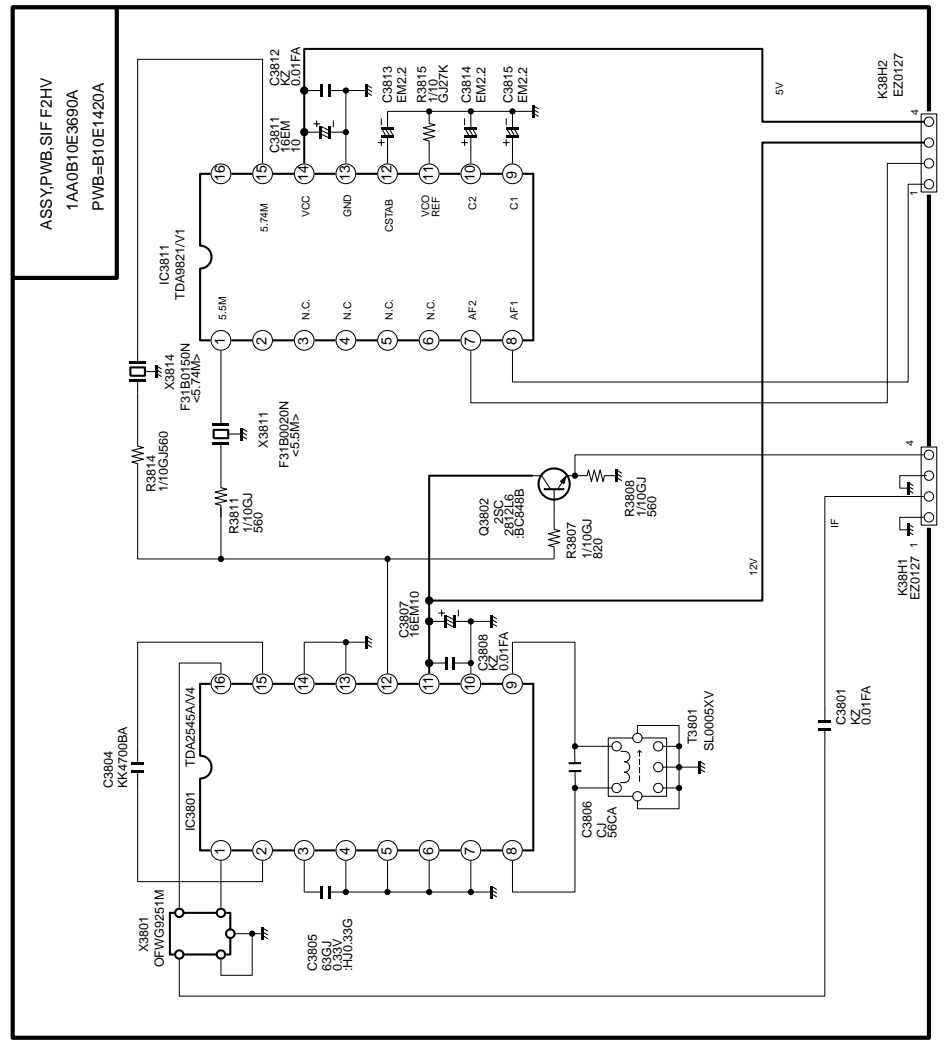
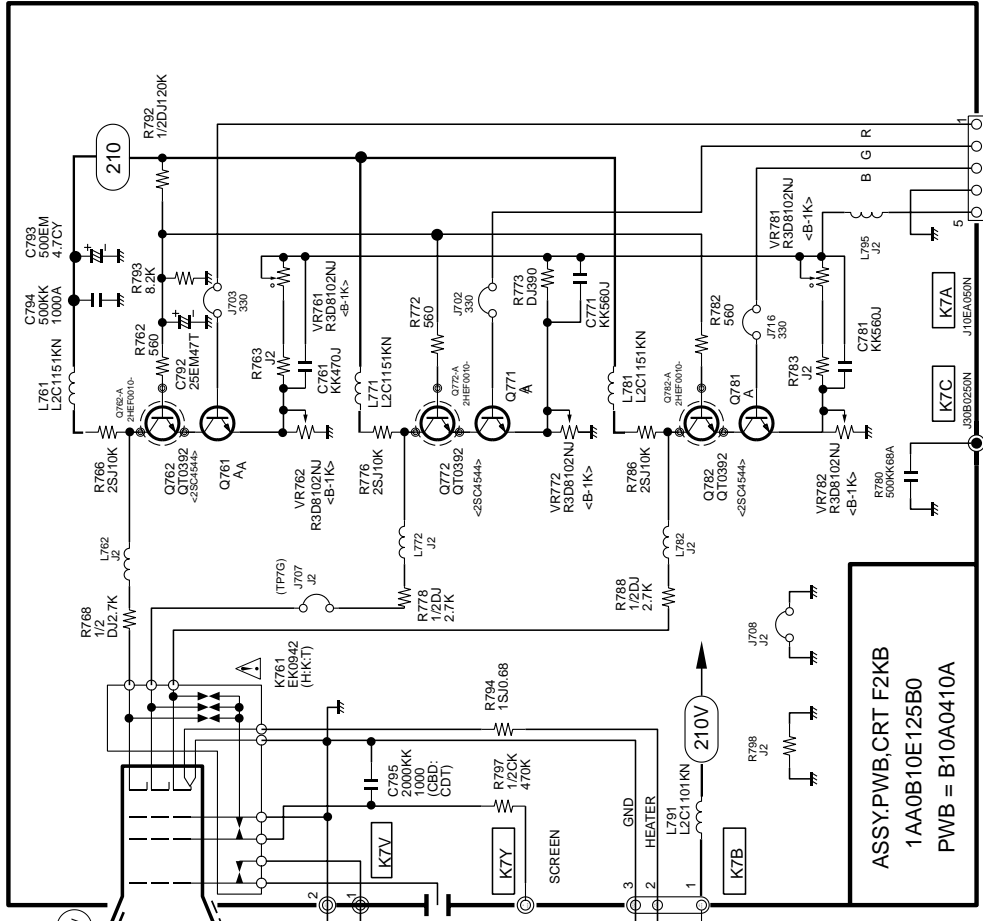
D : Carbon
 N : Metallized carbon
 S : Oxide metallized
 W : Wire winding
 C : Solid

Terminal guide



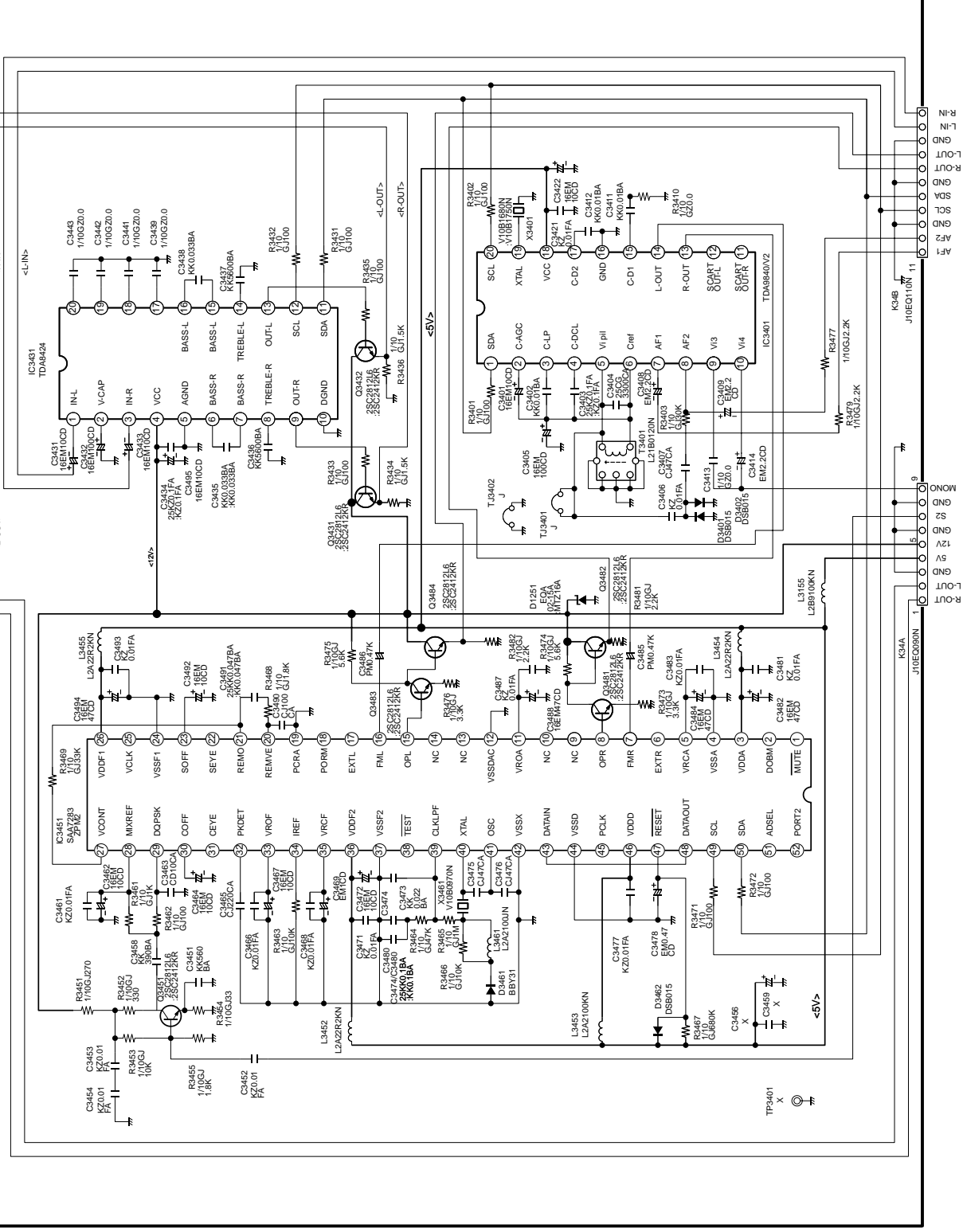
Chip Components





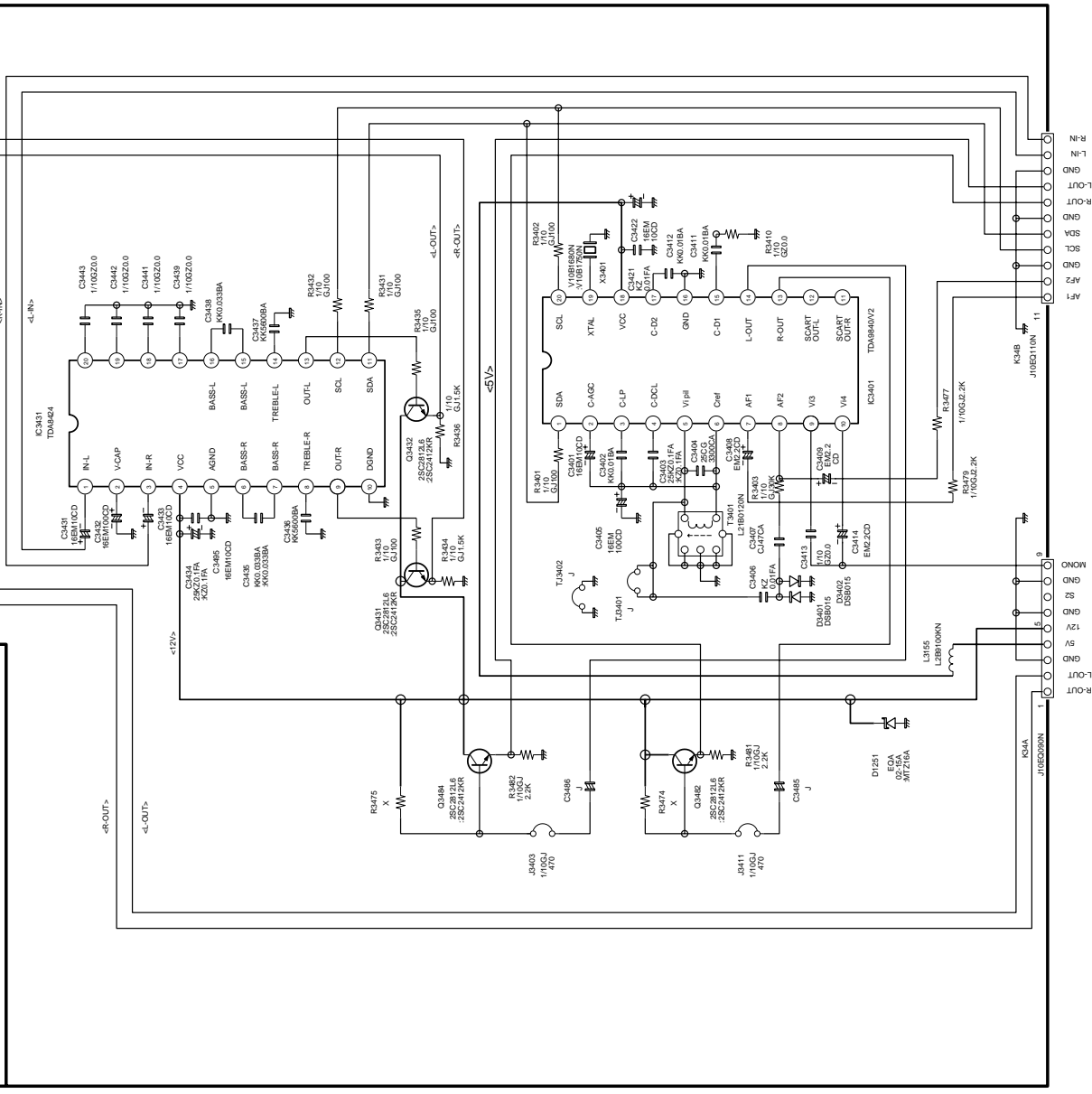
NICAM BOARD only for model CE32WN1

1AA0B10H032EA
 ASSY,PWB,NICAM F2KV
 PWB 1AA4B10E14200 A

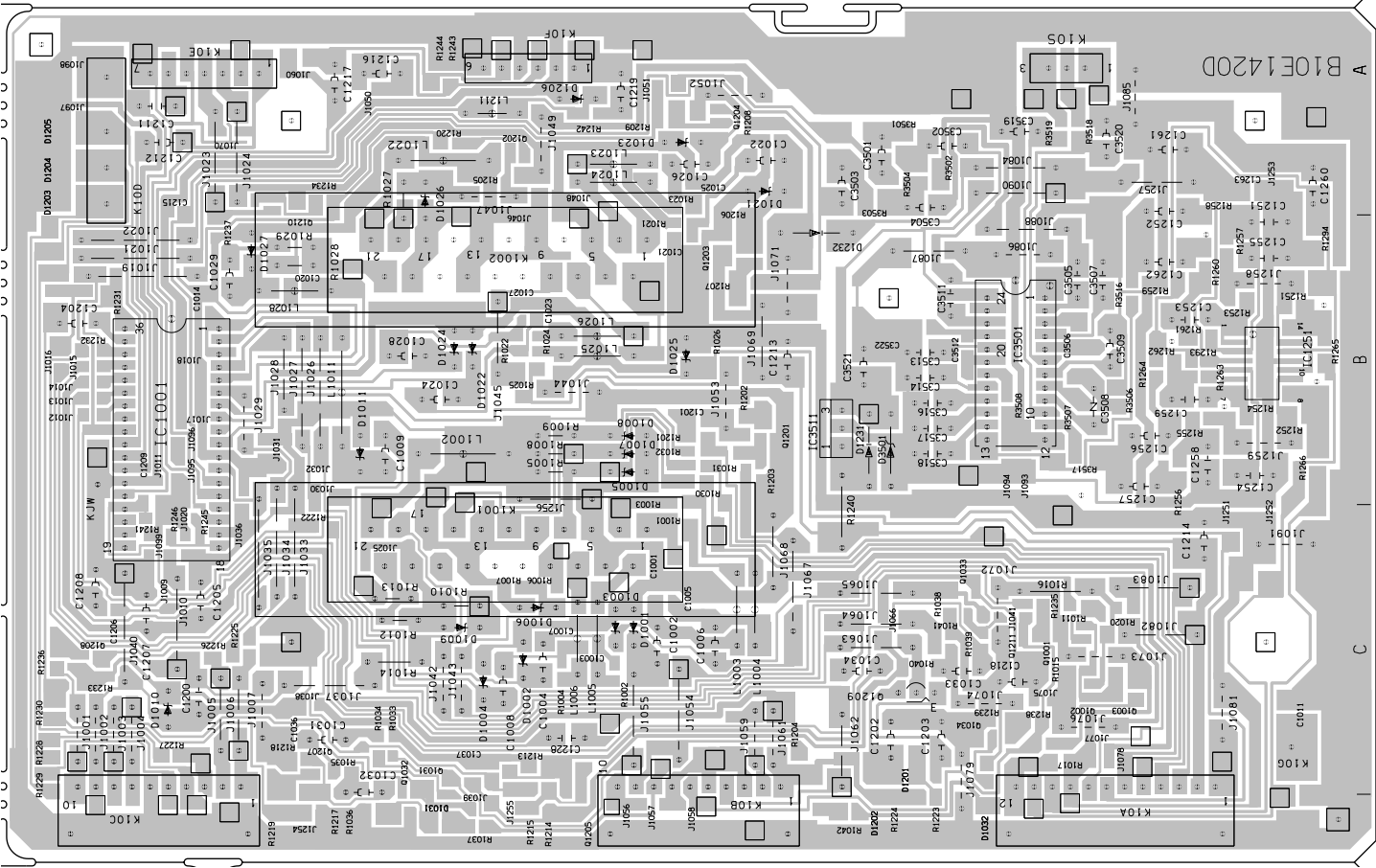


A2 STEREO BOARD only for model CE32W1

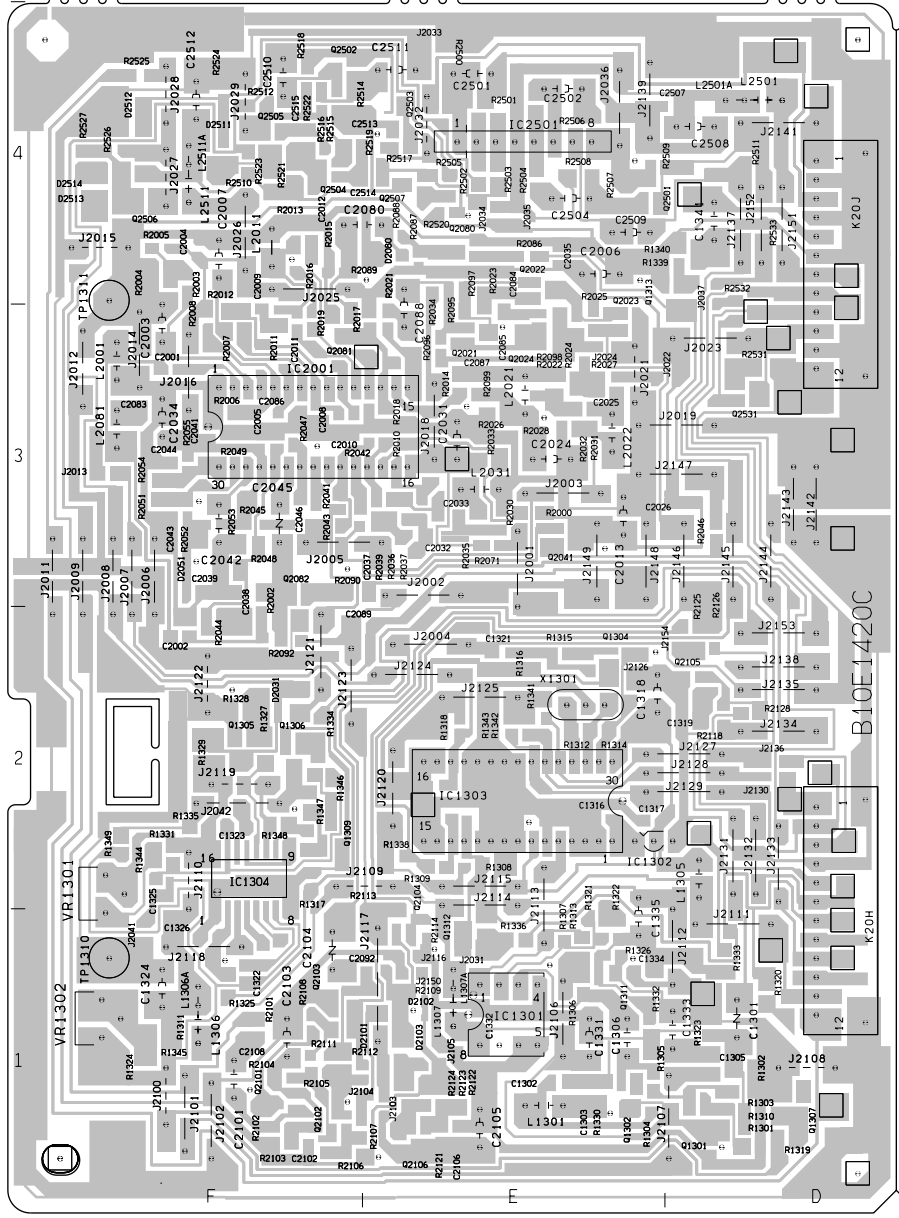
1AA0B10H032AC
 ASSY,PWB,NICAM F2KT
 PWB 1AA4B10E14200 A



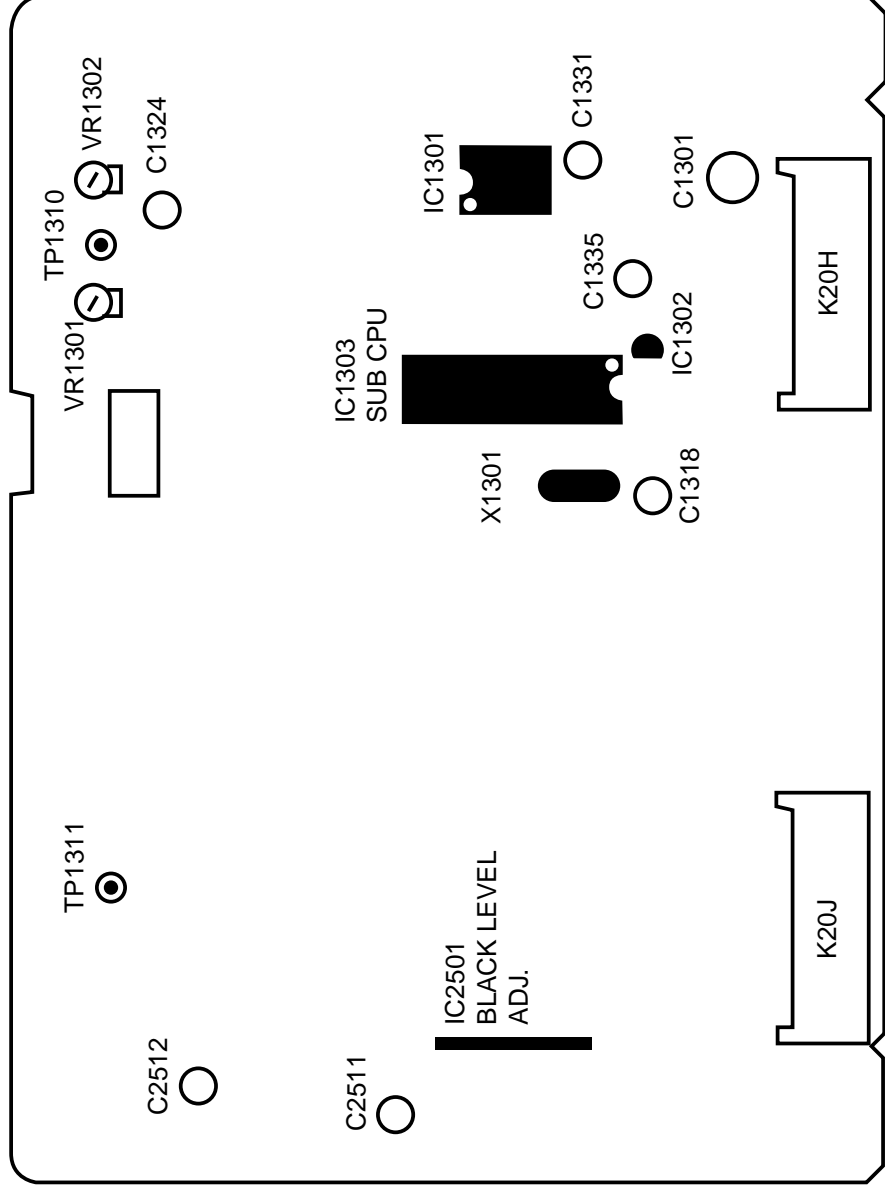
BACK BOARD (Circuit Side)



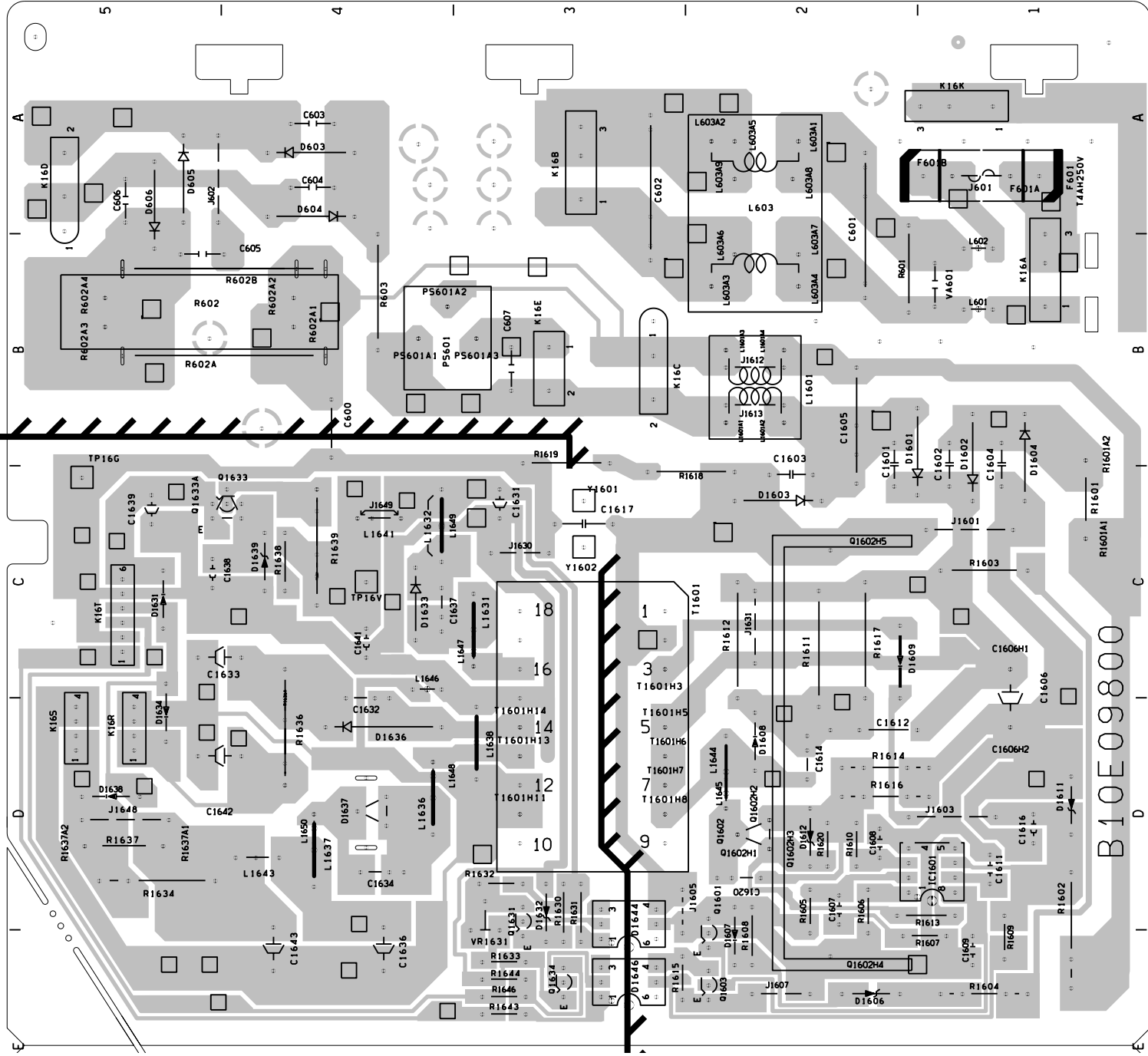
SUB VIDEO BOARD (Circuit Side)



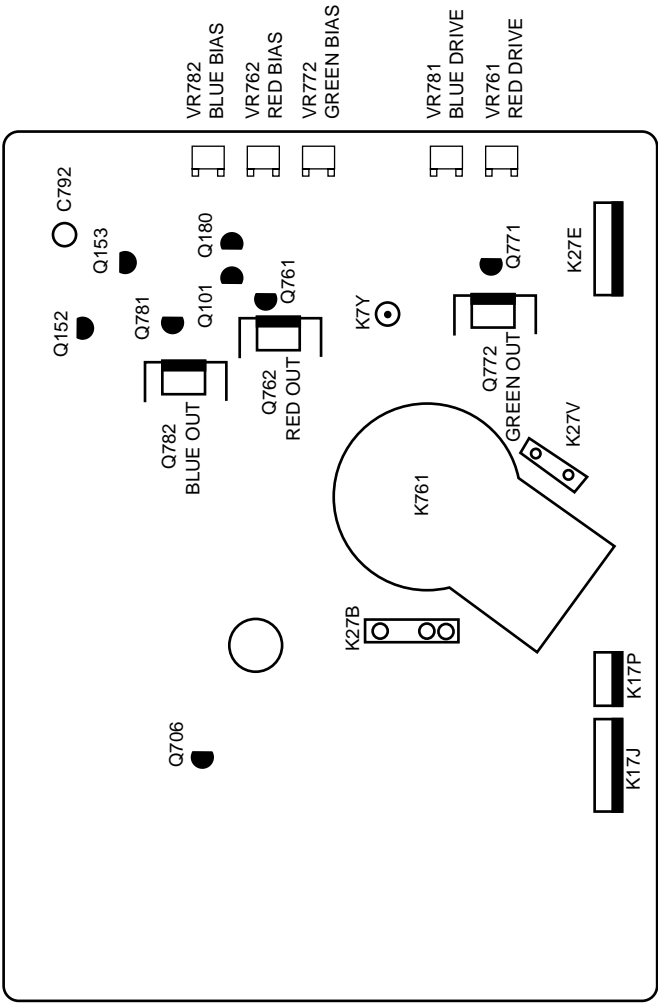
SUB VIDEO BOARD (Component Side)



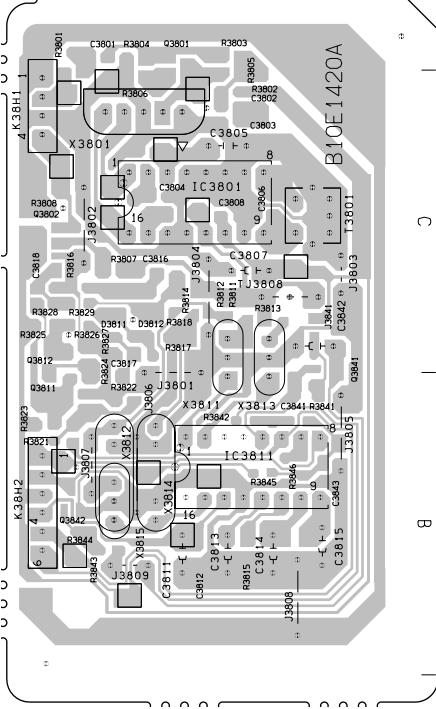
SUB POWER BOARD (Circuit Side)



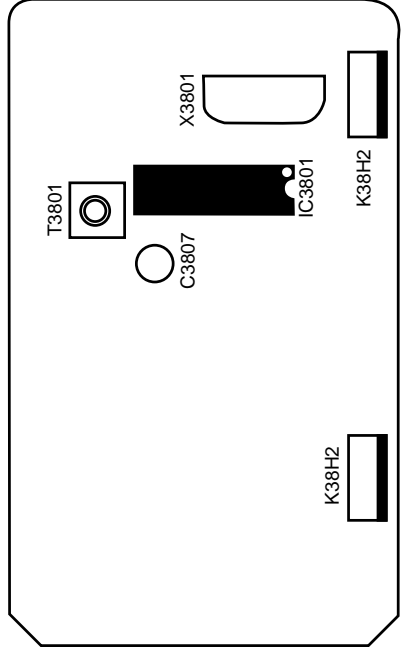
CRT BOARD (Component Side)



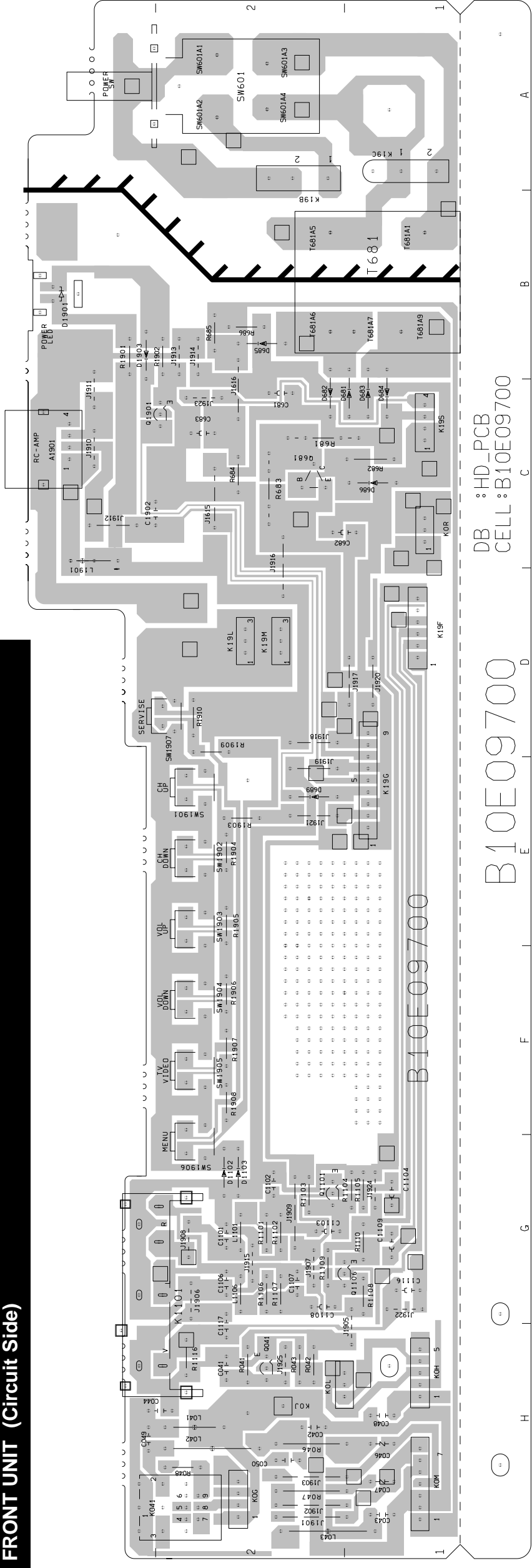
SIF BOARD (Circuit Side)



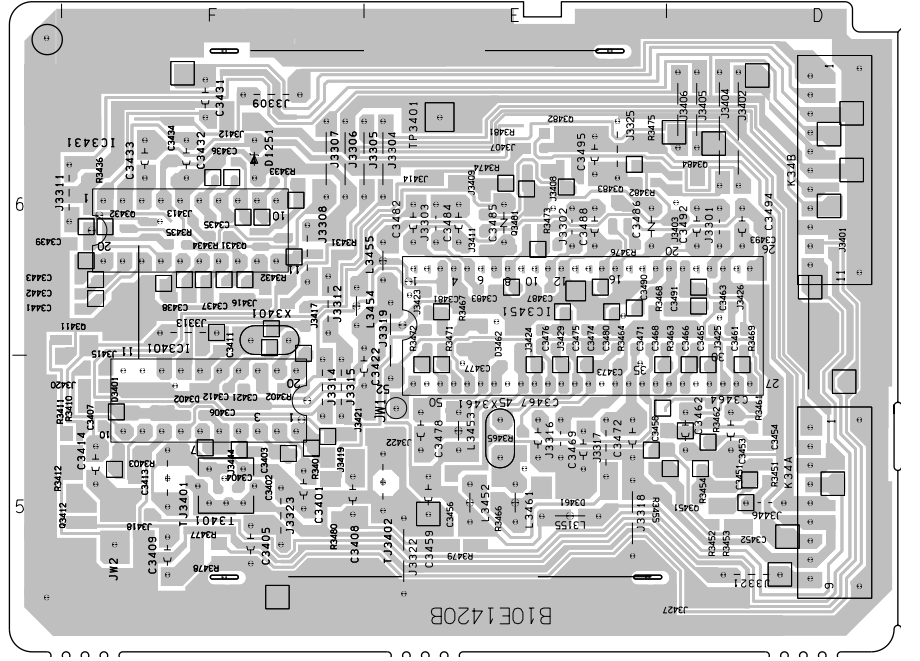
SIF BOARD (Component Side)



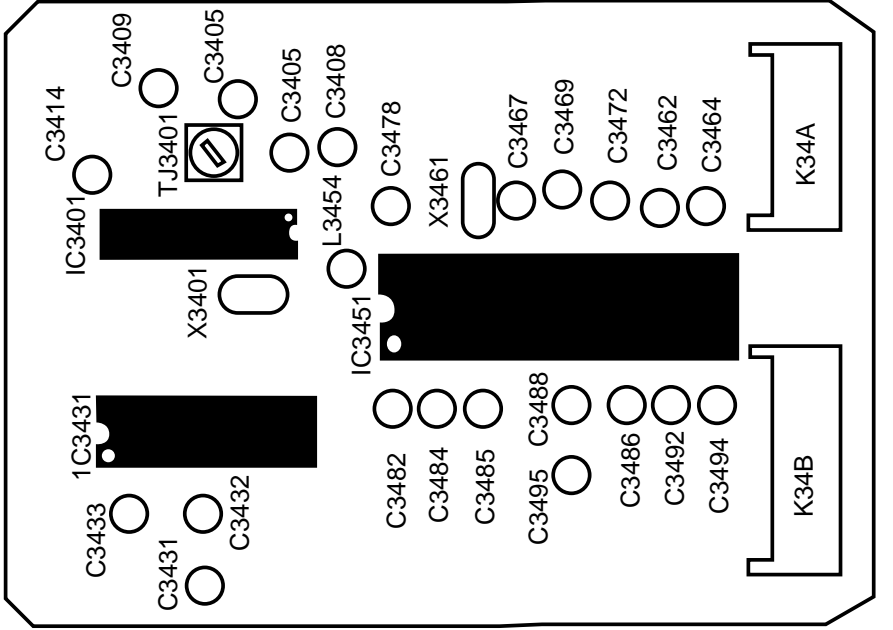
FRONT UNIT (Circuit Side)



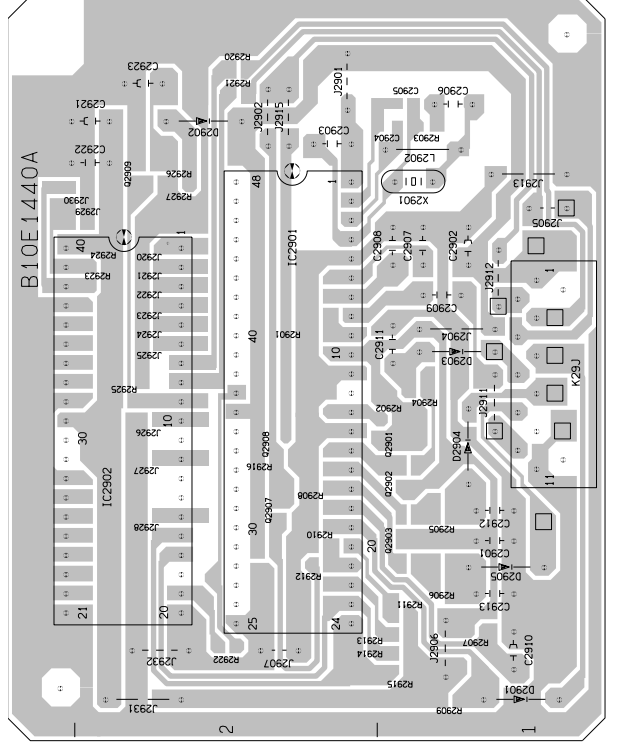
NICAM/STEREO BOARD (Circuit side)



NICAM/STEREO BOARD (Component side)

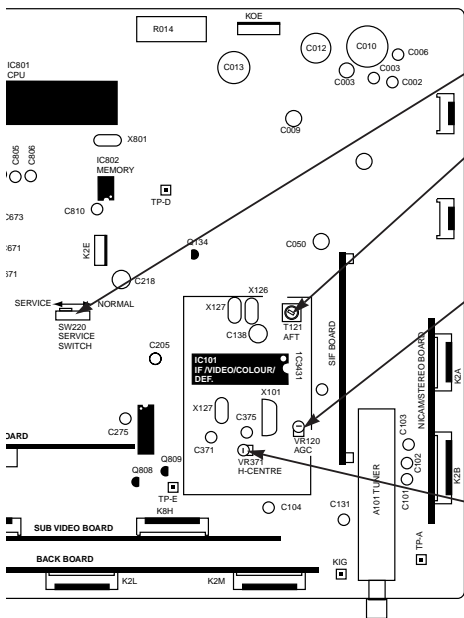


TELETEXT BOARD (Component side)



SERVICE CONTROL ADJUSTMENTS

Main Board



Grey Scale Adjustment

AFT ADJUSTMENT

1. Receive the clearest station.
2. By using T121, adjust AFT to obtain the best picture.

AGC ADJUSTMENT

- NOTE: Do not attempt this adjustment with weak signal.**
1. Receive the clearest station.
 2. Set AGC VR(VR120) in direction which causes snow noise to appear, then in the opposite direction until snow noise just disappears.

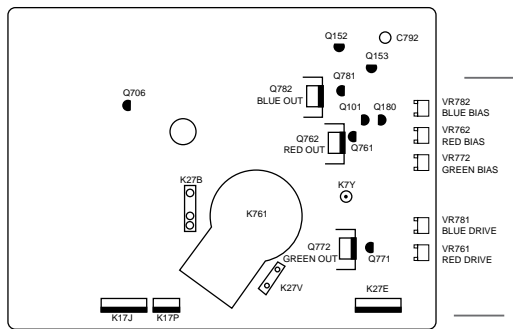
H-CENTRE ADJUSTMENT

1. Receive circular pattern signal.
2. Adjust H-centre by using VR371.

GREY SCALE ADJUSTMENT

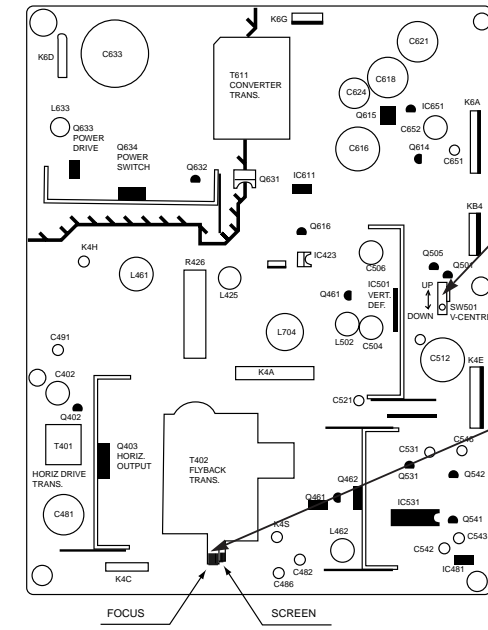
- [SCREEN VR ADJUSTMENT]**
1. Receive white pattern signal.
 2. Set brightness and contrast controls to maximum.
 3. Set VR761 and VR781 to be mechanical centre.
 4. Turn VR762, VR772 and VR782 fully counter-clockwise.
 5. Turn SW220 to "SERVICE" mode.
 6. Set screen VR for one colour to be just visible.
- [BIAS VR ADJUSTMENT]**
7. By using VR762, VR772 or VR782, adjust line to be white.
- [DRIVE VR ADJUSTMENT]**
8. Turn SW220 to "NORMAL" mode.
 9. By using VR761 and VR781, adjust white balance.

CRT Board



SERVICE CONTROL ADJUSTMENTS

Power & Deflection Board



V-CENTRE ADJUSTMENT

1. Receive circular pattern signal.
2. Adjust V-centre by using SW501.

FOCUS ADJUSTMENT

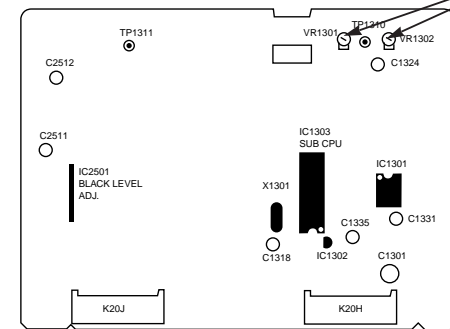
By using FOCUS VR, adjust focus control for well scanning lines.

HIGH VOLTAGE CONFIRMATION

[HIGH VOLTAGE ADJUSTMENT]

1. Receive circular pattern signal.
2. Set brightness to centre and contrast to maximum.
3. Connect a high voltage meter to CRT anode.
4. Confirm high voltage to be 30.5 ± 1 KV, and less than 34.0KV at 0 beam current.

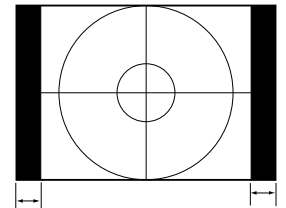
Sub Video Board



H-BLANKING ADJUSTMENT

NOTE: This must be done after picture size adjustment.

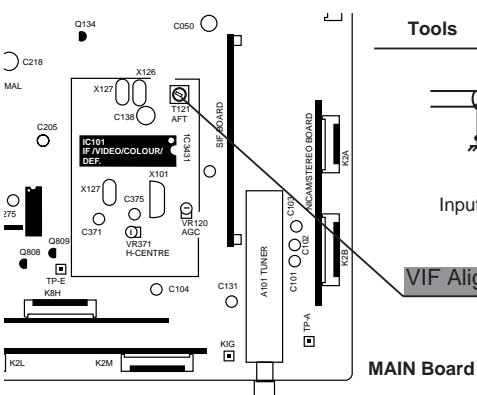
1. Receive circular pattern signal.
2. Set screen mode to NORMAL.
3. Adjust right and left blanking width to be equal by using VR1301(right) and VR1302(left).



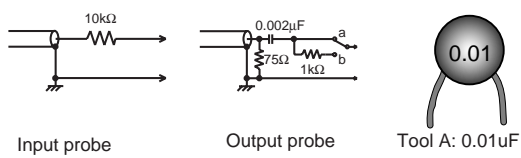
CIRCUIT ALIGNMENTS

VIF ALIGNMENT

SETTING	Adjustment	Waveform
DC 12.0V AGC voltage (4.3-4.5V) Output probe	K3A-pin5 IC101-pin48 IC101-pin45 (Side b)	
Input probe DC5.0V Marker frequency Sweep ATT 0dB=176mVrms/75 Tool A	IC101-pin7 KOC-pin8 38.9MHz 20dB IC101-pin46 and GND	



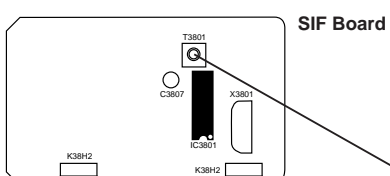
Tools



VIF Alignment

SIF ALIGNMENT

SETTING	Adjustment	Waveform
DC 12V AGC voltage Output probe	IC3801-pin11 IC3801-pin3 IC3801-pin1 (Side b)	
Input probe Sweep ATT Marker Frequency	IC3801-pin12 10dB 38.9MHz	



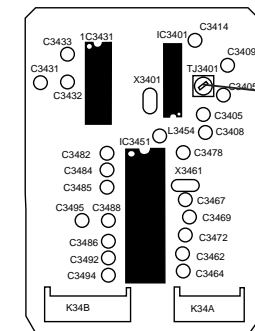
SIF Alignment

CIRCUIT ALIGNMENTS

PILOT ALIGNMENT

SETTING	Adjustment	Waveform
Oscilloscope Input sound signal source TV system Deviation Mode	IC3401-pin5 System B/G 27kHz Stereo	

NICAM & Stereo Board



Pilot Alignment

ADJUSTMENTS IN THE SERVICE MODE

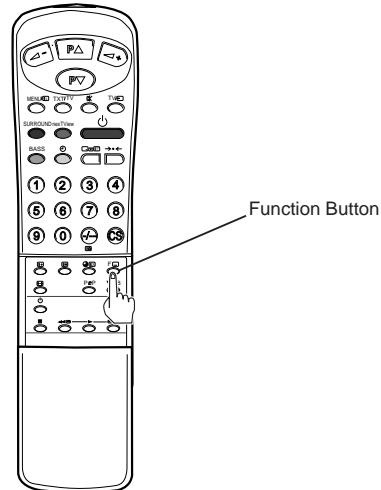
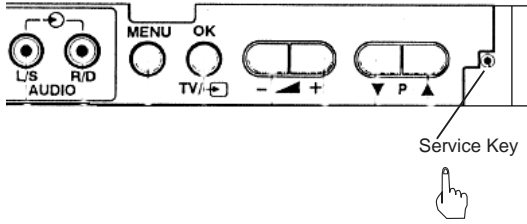
Since some chassis circuit adjustments are controlled by the CPU built into the chassis, adjustments can now be made by inputting data directly via the remote control handset supplied with the set.

Memory IC replacement

Since adjustment data for the circuit is stored in the memory IC (IC802) that comes with the CPU, the adjustment data must be re-input when the memory IC is replaced.
(After memory IC replaced, reference data is initially written automatically to memory from the CPU ROM for basic set operation.)

1. Setting of the service mode.

To enter service mode, press and hold the SERVICE key on the front control panel, then press the Function button on the remote control handset.

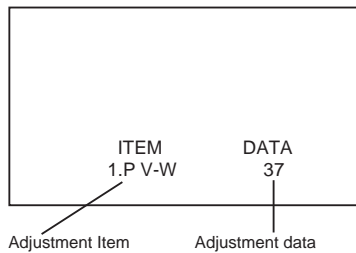


2. Screen display of the service mode.

- Adjustment items can be selected by pressing the Prog. up/down button on the remote control handset.
- Adjustment data can be set by pressing Level up/down button on the remote control handset.

3. To exit from the service mode.

To exit from the service mode, turn off the TV set by pressing the power on/off button on the TV set or remote control handset.



The adjustments in the service mode are listed below table.

The data in each adjustment item is set with the best setting value in the CPU ROM as initial data. As the shaded adjustment items are adjusted for each TV set individually, it may slightly differ to the initial data. When the memory IC is replaced, these adjustments should be readjusted according to service mode adjustments described next page.

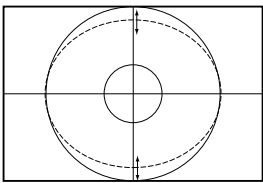
Item	Adjustment	Screen Mode	Initial Data	Range of Data	Remarks
1.P V-W	V-Size	50Hz FULL	35	00-127	
2.P V-L	V-linearity	50Hz FULL	16	00-31	
3.P V-S	V-S Correction	50Hz FULL	04	00-31	
4.P VSB	V-Correction	50Hz FULL	00	00-15	
5.P H-W	H-Width	50Hz FULL	26	00-63	
6.P PCC	Pincushion	50Hz FULL	36	00-63	
7.P C-P	Corner Comp.	50Hz FULL	3	00-15	
8.P PHA	Keystone Correction	50Hz FULL	30	00-63	
9.P HCO	H-Correction	50Hz FULL	10	00-15	
10.P VGM	V-J Correction	50Hz FULL	00	00-15	

Item	Adjustment	Screen Mode	Initial Data	Range of Data	Remarks
11.P H-W	H-Width	50Hz NORMAL	+26	+63	
12.P PCC	Pincushion	50Hz NORMAL	00	+63	
13.P V-W	V-Size	50Hz PITTARI	+07	+127	
14.P V-S	V-S Correction	50Hz PITTARI	+06	+31	
15.P H-W	H-Width	50Hz PITTARI	+16	+63	
16.P PCC	Pincushion	50Hz PITTARI	+04	+63	
17.P V-W	V-Size	50Hz ZOOM	+26	+127	
18.P PCC	Pincushion	50Hz ZOOM	+21	+63	
19.P V-W	V-Size	50Hz TITLE IN	-12	+127	
20.P PCC	Pincushion	50Hz TITLE IN	+09	+63	
21.P PHA	Keystone Correction	50Hz TITLE IN	-30	+63	
22.N V-W	V-Size	60Hz FULL	00	+127	
23.N V-L	V-linearity	60Hz FULL	00	+31	
24.N V-S	V-S Correction	60Hz FULL	00	+31	
25.N VSB	V-Correction	60Hz FULL	00	+15	
26.N H-W	H-Width	60Hz FULL	00	+63	
27.N PCC	Pincushion	60Hz FULL	00	+63	
28.N C-P	Corner Comp.	60Hz FULL	00	+15	
29.N PHA	Keystone Correction	60Hz FULL	00	+63	
30.N HCO	H-Correction	60Hz FULL	00	+15	
31.N VGM	V-J Correction	60Hz FULL	00	+15	
32.N H-W	H-Width	60Hz NORMAL	00	+63	
33.N PCC	Pincushion	60Hz NORMAL	00	+63	
34.N V-W	V-Size	60Hz PITTARI	00	+127	
35.N V-S	V-S Correction	60Hz PITTARI	00	+31	
36.N H-W	H-Width	60Hz PITTARI	00	+63	
37.N PCC	Pincushion	60Hz PITTARI	00	+63	
38.N V-W	V-Size	60Hz ZOOM	00	+127	
39.N PCC	Pincushion	60Hz ZOOM	00	+63	
40.N V-W	V-Size	60Hz TITLE IN	00	+127	
41.N PCC	Pincushion	60Hz TITLE IN	00	+63	
42.N PHA	Keystone Correction	60Hz TITLE IN	00	+63	
43.WBT	Ident.time for Screen mode		15	00-31	
44.WHG	Tone lance of Ident. screen		+03	+15	
45.WHS	Threshold level		07	00-15	
46.TIL	Ident time for Title mode		06	00-31	
47.WHR	Ident time for unstable		30	00-31	
48.P WDE	Ident value of picture start	50Hz	12	02-30	
49.P WDE	Ident value of blanking start	50Hz	54	21-58	
50.P WBP	V-blanking start value	50Hz PITTARI	72	00-75	
51.P WBP	V-blanking end value	50Hz PITTARI	12	00-75	
52.P WBZ	V-blanking start value	50Hz ZOOM	61	00-75	
53.P WBZ	V-blanking end value	50Hz ZOOM	23	00-75	
54.P WBT	V-blanking start value	50Hz TITLE IN	74	00-75	
55.P WBT	V-blanking end value	50Hz TITLE IN	23	00-75	
56.N WDB	Ident value of picture start	60Hz	15	09-30	
57.N WDE	Ident value of blanking start	60Hz	31	04-34	
58.N WBP	V-blanking start value	60Hz PITTARI	61	00-63	
59.N WBP	V-blanking end value	60Hz PITTARI	9	00-63	
60.N WBZ	V-blanking start value	60Hz ZOOM	53	00-63	
61.N WBZ	V-blanking end value	60Hz ZOOM	18	00-63	
62.N WBT	V-blanking start value	60Hz TITLE IN	61	00-63	
63.N WBT	V-blanking end value	60Hz TITLE IN	18	00-63	
64.WCR	Contrast comp. value	ZOOM/TITLE IN	05	00-31	
65.MAX	NICAM MAX		195	00-255	
66.MIN	NICAM MIN		160	00-255	
67.ATT	NICAM ATT to equalise sound level FM/NICAM		04	00-12	
68.K1	A2 STEREO K1 for stereo separation		-1	-04+05	
69.K2	A2 STEREO K2 for stereo separation		-11	-24+25	
70.STID	A2 STEREO ident speed		00	00-02	
71.OSC	Position of screen display		14	00-31	
72.TXT	Maximum contrast value in the teletext		01	00-63	
73.P V-W	Zoom 16:9 V-Size	50Hz	+14	+127	
74.P PCC	Zoom 16:9 Pcc	50Hz	+12	+63	
75.P H-W	Zoom 16:9 H-Width	50Hz	00	+63	
76.N V-W	Zoom 16:9 V-Size	60Hz	00	+127	
77.N PCC	Zoom 16:9 Pcc	60Hz	00	+63	
78.N H-W	Zoom 16:9 H-Width	60Hz	00	+63	
79.P WDB	Zoom 16:9 Ident value of picture start	50Hz	5	2-30	
80.P WDE	Zoom 16:9 Ident value of blanking start	50Hz	58	21-58	
81.P WBZ	Zoom 16:9 V-blanking start value	50Hz	65	0-75	
82.P WBZ	Zoom 16:9 V-blanking end value	50Hz	15	0-75	
83.N WDB	Zoom 16:9 Ident value of picture start	60Hz	9	2-30	
84.N WBD	Zoom 16:9 Ident value of blanking start	60Hz	34	21-58	
85.N WBZ	Zoom 16:9 V-blanking start value	60Hz	60	0-75	
86.N WBZ	Zoom 16:9 V-blanking end value	60Hz	13	0-75	

Service mode adjustments

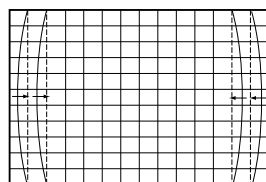
V-SIZE ADJUSTMENT

1. Receive circular pattern signal.
2. Set the TV to the service mode.
3. Select service item " 1.P V-W" by pressing the program + or - button.
4. Adjust vertical size by pressing the level + or - button.



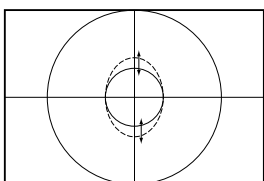
PINCUSHION ADJUSTMENT

1. Receive cross hatch pattern signal.
2. Set the TV to the service mode.
3. Select service item " 6.P PCC" by pressing the program + or - button.
4. Adjust so that the vertical lines straight by pressing the level + or - button.



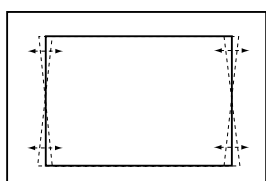
V-LINEARITY ADJUSTMENT

1. Receive circular pattern signal.
2. Set the TV to the service mode.
3. Select service item " 2.P V-L" by pressing the program + or - button.
4. Adjust vertical linearity by pressing the level + or - button.



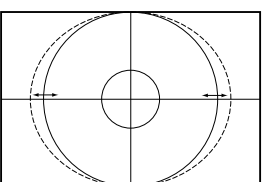
KEystone ADJUSTMENT

1. Receive cross hatch pattern signal.
2. Set the TV to the service mode.
3. Select service item " 8.P PHA" by pressing the program + or - button.
4. Adjust the trapezium distortion by pressing the level + or - button.



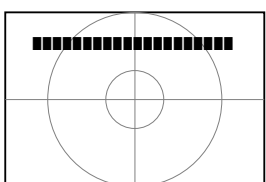
H-WIDTH ADJUSTMENT

1. Receive circular pattern signal.
2. Set the TV to the service mode.
3. Select service item " 5.P H-W" by pressing the program + or - button.
4. Adjust horizontal width by pressing the level + or - button.



POSITION OF SCREEN DISPLAY

1. Set the TV to the service mode.
2. Select service item " 72.OSD" by pressing the program + or - button.
3. Adjust the position of screen display by pressing the level + or - button.



SPECIAL FUNCTIONS



This TV set allows you to set up the following special functions.

■ Prohibition of presetting

ITEM-1

Sets the prohibition of presetting and CS key entry.

SET-> 0 NO
SET-> 1 YES

■ Start up programme position

ITEM-2

Presets the programme position when the set is switched on.

SET-> 0 Last programme position start
SET-> 1 "AV1" start

Service Key



SETTING PROCEDURE

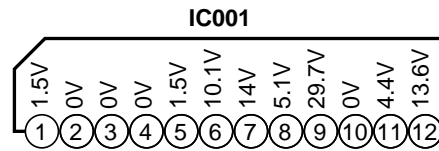
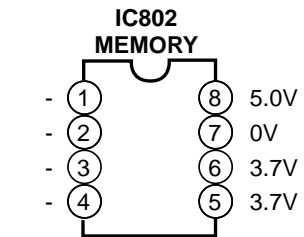
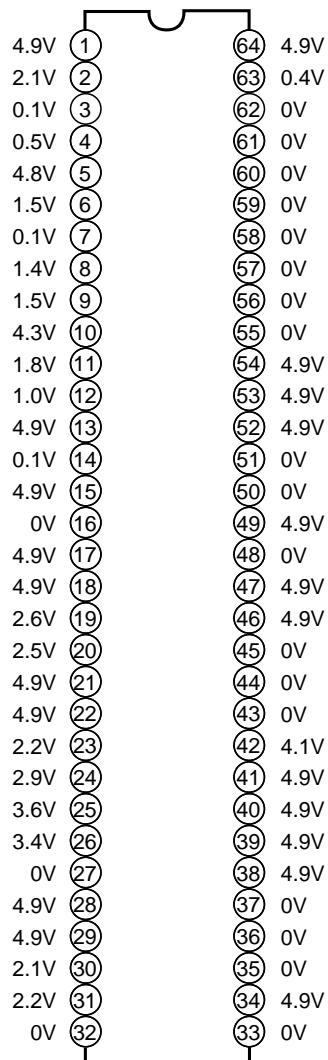
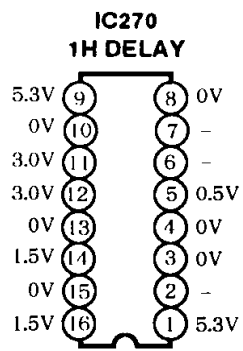
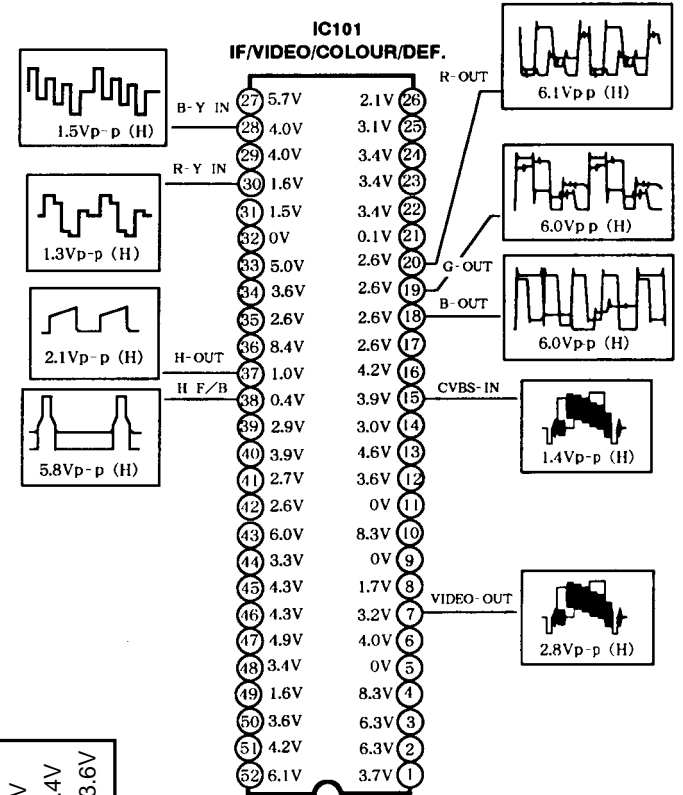
- 1 Press and hold the SERVICE Key on the on the front control panel, the press the Recall button on the remote control handset.
- 2 To select the "ITEM" number, press the Programme up/down button on the remote control handset.
- 3 To select the "SET" number,press the Level up/down button repeatedly.
- 4 To return to the normal TV mode, press the Recall button.

- The setting conditions of all items can be confirmed.
- Special functions are not cancelled if the TV set is switched off or the mains disconnected.

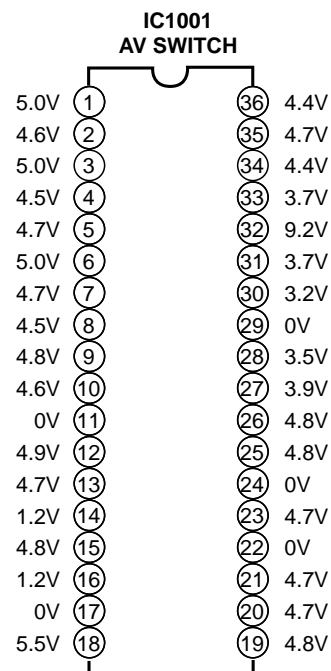
WAVEFORMS AND VOLTAGES

MAIN

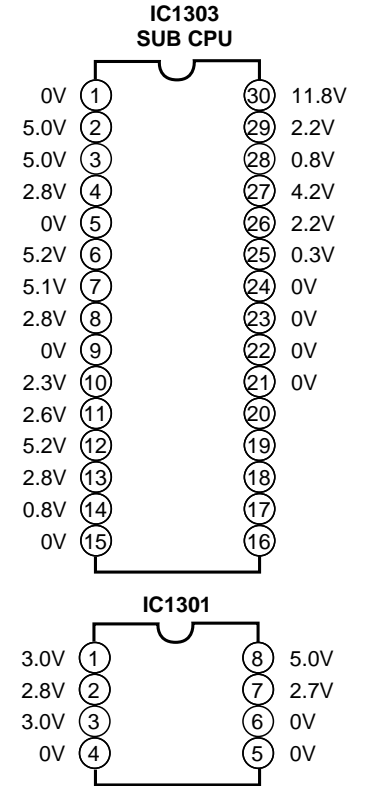
Q122	Q132	Q135	Q202	Q203	Q204
B 10V	B 10V	B 10V	B 8.3V	B 2.6V	B 2.6V
C 32.5V	C 32.5V	C 32.5V	C 0V	C 0V	C 0V
E 7.0V	E 7.0V	E 7.0V	E 8.0V	E 3.1V	E 3.1V
Q205	Q212	Q241	Q242	Q243	Q801
B 2.6V	B 2.9V	B 10V	B 10V	B 10V	B 8.3V
C 0V	C 12.3V	C 32.5V	C 32.5V	C 32.5V	C 12.2V
E 3.1V	E 2.3V	E 7.0V	E 7.0V	E 7.0V	E 7.7V
Q802	Q804	Q805	Q806	Q808	Q809
B 0.6V	B 4.4V	B 0V	B 0.7V	B 0.7V	B -0.1V
C 0V	C 5.0V	C 2.6V	C 0V	C 0.1V	C 6.3V
E 0V	E 5.0V	E 0V	E 0V	E 0V	E 0V



BACK



SUB VIDEO



CRT

Q762 (R-OUT)	Q772 (G-OUT)	Q782 (B-OUT)
VOLT. 11.9V	VOLT. 11.9V	VOLT. 11.2V
WAVEFORM	WAVEFORM	WAVEFORM
B 11.9V	B 11.9V	B 11.2V
C 158V	C 165.8V	C 164V
141Vpp (HORIZ.)	125.5Vpp (HORIZ.)	129.5Vpp (HORIZ.)
E 11.3V	E 11.4V	E 11.4V
Q781 (R-Y)	Q771 (G-Y)	Q781 (B-Y)
VOLT. 3.8V	VOLT. 3.7V	VOLT. 3.8V
WAVEFORM	WAVEFORM	WAVEFORM
B 3.8V	B 3.7V	B 3.8V
C 11.3V	C 11.4V	C 11.4V
6.4Vpp (HORIZ.)	6.4Vpp (HORIZ.)	6.4Vpp (HORIZ.)
E 3.2V	E 3.2V	E 3.3V